



SWITCHES

INDEX

Part No.	Model	Page	Illustration Page	Part No.	Model	Page	Illustration Page	Part No.	Model	Page	Illustration Page
31001	MD6	Q5	Q4	31334	PS19	Q30	Q29	†31556	6SA	Q7	Q6
31044	S37	Q5	Q4	31339	PS6	Q30	Q29	31559	20SA	Q7	Q6
31056	S37	Q5	Q4	31344	S50	Q24	Q24	31561	SD84	Q7	Q6
31073	PS9	Q5	Q4	31346	SC81	Q5	Q4	31564	SD84	Q7	Q6
31082	HL2	Q5	Q4	31356	PS6	Q5	Q4	31565	SD84	Q7	Q6
31091	PPG1	Q5	Q4	31361	SS5	Q24	Q24	31567	PRS3	Q7	Q6
31093	39C	Q5	Q4	31363	SS5	Q20	Q21	31568	PRS3	Q7	Q6
31107	SS5	Q24	Q24	31369	PRS5	Q30	Q29	31570	PRS3	Q7	Q6
31113	PS16	Q5	Q4	†31375	BMS1	Q5	Q4	31571	18SA	Q7	Q6
31114	PPG2	Q5	Q4	31377	SS5	Q24	Q24	31578	30SA	Q30	Q29
31115	SS8	Q24	Q24	31379	TS82	Q5	Q4	31579	PRS7	Q20	Q21
31120	PS9	Q5	Q4	31382	55C	Q5	Q4	31581	PS7	Q30	—
31126	PPG1	Q5	Q4	†31384	22B	Q30	Q30	31593	S60	Q24	Q24
31127	SD84	Q5	Q4	31387	PRS5	Q5	Q4	31600	PS6	Q7	Q24
31140	10	Q5	Q4	31403	S45	Q24	Q24	31608	37SA	Q7	Q6
31141	SS5	Q24	Q24	†31404	94	Q5	Q4	31609	37SA	Q7	Q6
31144	39C	Q5	Q4	31416	PRS3	Q5	Q4	31611	TS82	Q7	Q4
31146	PS17	Q20	Q20	31419	PS7-2	Q30	Q29	31622	13SA	Q7	Q6
31150	SS5	Q24	Q24	31421	PRS3	Q5	Q4	31625	37SA	Q7	Q6
31153	SS8	Q24	Q24	†31422	22B	Q5	Q4	31630	37SA	Q7	Q6
31154	PS16	Q5	Q4	31423	SD87	Q5	Q4	31633	42SA	Q7	Q6
31158	PPG1	Q5	Q4	31425	PHS1	Q24	Q24	31637	S60	Q24	Q24
31161	10	Q5	Q4	31426	PRS7	Q5	Q4	31638	6SA	Q7	Q6
31173	PS9	Q5	Q4	31428	PRS7	Q5	Q4	31641	37SA	Q7	Q6
†31175	94	Q5	Q4	31429	PRS7	Q20	Q21	31644	PS5	Q20	Q21
†31177	95	Q5	Q4	31430	PRS7	Q30	Q30	†31645	BMS1	Q7	Q6
31183	PPG1	Q5	Q4	31434	PS7	Q5	Q4	31646	MS6	Q7	Q6
31187	SS5	Q24	Q24	31440	HL2	Q5	Q6	31650	49SA	Q30	Q29
31190	SD84	Q5	Q4	31444	PPG1	Q7	Q6	31655	PRS3	Q7	Q6
31192	PS15	Q5	Q4	31447	SS5	Q24	Q24	31662	10SA	Q7	Q6
31194	PRS2	Q5	Q4	31448	PRS5	Q30	Q29	†31663	54SA	Q7	Q6
31198	PPG2	Q5	Q4	31454	PRS5	Q30	Q29	31664	37SA	Q7	Q6
31201	PS7-1	Q5	Q4	31455	PRS9	Q30	Q29	31673	MS6	Q7	Q6
31216	SS5	Q24	Q24	31456	PRS9	Q7	Q6	31675	SD84	Q7	Q6
31224	U39	Q5	Q4	31457	PRS9	Q30	Q29	31678	S60	Q25	Q24
31226	FS22-1	Q5	Q4	31469	SS10	Q24	Q24	†31680	55SA	Q7	Q6
31227	S37	Q5	Q4	31472	No. 8	Q7	Q10	31685	PS9	Q30	Q29
31228	PS7-1	Q5	Q4	31474	PS7	Q30	Q29	31692	6SA	Q7	Q6
31229	PS5	Q20	Q20	31476	SD84	Q7	Q6	31695	SD84	Q7	Q6
31241	SS5	Q24	Q24	31478	SS10	Q7	Q6	31696	56SA	Q7	Q6
31243	PS6	Q30	Q29	31479	PS7	Q30	Q29	31702	57SA	Q20	Q21
31246	S56	Q24	Q24	31482	No. 9	Q7	Q4	31708	PRS7	Q30	Q29
31248	PS19	Q5	Q4	31486	6SA	Q7	Q6	31712	37SA	Q7	Q6
31249	PRS3	Q5	Q4	31494	MS6	Q7	Q6	31713	37SA	Q7	Q6
31250	TPS1-1	Q5	Q4	31497	SS5	Q24	Q24	†31714	37SA	Q30	Q29
31253	SS9	Q24	Q24	31501	S60	Q24	Q24	31719	SS9	Q25	Q24
31256	PS6	Q20	Q20	31502	SC81	Q7	Q6	31727	52SA	Q7	Q6
31258	SS5	Q24	Q24	†31504	12SA	Q30	Q29	31732	37SA	Q7	Q6
31260	PS9	Q5	Q4	31509	PRS7	Q7	Q6	31733	13SA	Q7	Q6
31268	PRS4	Q5	Q4	†31513	15SA	Q30	Q29	31734	37SA	Q7	Q6
31270	PRS3	Q5	Q4	31516	PRS3	Q7	Q6	31735	37SA	Q7	Q6
31272	SS5	Q24	Q4	31518	PS7	Q30	Q29	31736	13SA	Q7	Q6
31277	FS32	Q5	Q4	31524	PRS7	Q7	Q6	31737	37SA	Q7	Q6
31279	SS9	Q24	Q24	31526	PS20	Q30	Q29	31738	13SA	Q7	Q6
31281	51C	Q5	Q4	31527	PS9	Q7	Q6	31743	57SA	Q7	Q6
31284	FS22-1	Q5	Q4	31528	PS9	Q7	Q6	31750	21SA	Q7	Q6
31287	S45	Q24	Q24	31529	PS9	Q30	Q29	31755	42SA	Q7	Q8
31291	9	Q5	Q4	31531	S60	Q20	Q21	31756	42SA	Q7	Q8
31295	PS5	Q20	Q20	31533	13SA	Q7	Q6	31757	45SA	Q30	Q29
31299	HSC1	Q5	Q4	31540	540	Q24	Q24	31759	PRS7	Q30	Q29
31302	PRS5	Q30	—	31542	SS10	Q7	Q6	31760	37SA	Q7	Q8
31303	PRS5	Q5	Q4	31543	SS10	Q24	Q24	31765	37SA	Q7	Q8
31304	PRS5	Q30	Q29	31543	S60	Q24	Q24	31769	51SA	Q7	Q8
31311	SD84	Q5	Q4	31544	18SA	Q7	Q6	31776	37SA	Q7	Q8
31316	PS19	Q5	Q4	31546	PRS7	Q30	Q29	31780	57SA	Q7	Q8
31331	PS20	Q5	Q4	31550	37SA	Q7	Q6	31781	S60	Q25	—

† These switches have no serviceable spare parts

SWITCHES



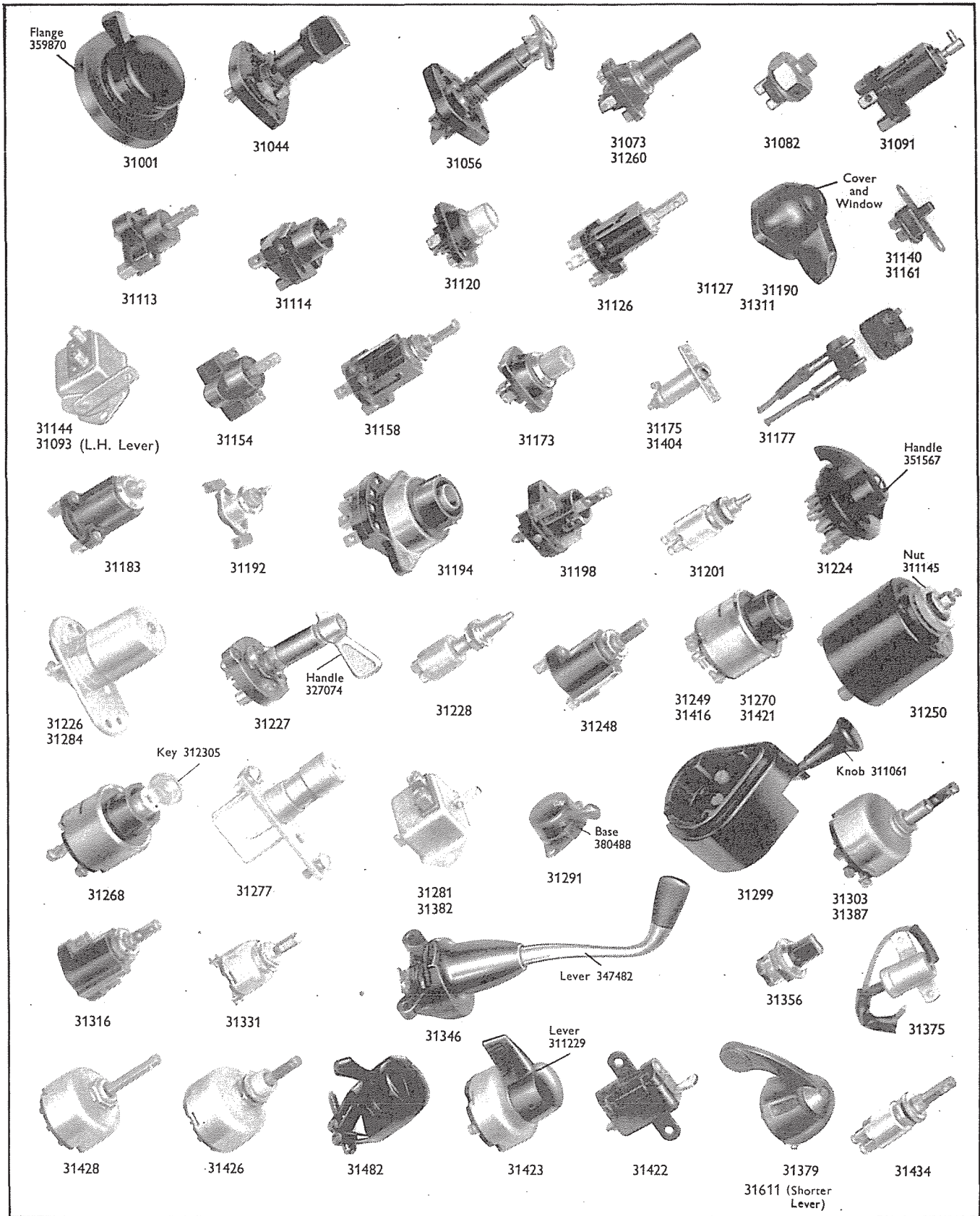
INDEX

Part No.	Model	Page	Illustration Page	Part No.	Model	Page	Illustration Page	Part No.	Model	Page	Illustration Page
31788	57SA	Q7	Q8	31951	58SA	Q9	Q8	76605	ST305	Q31	Q29
31790	PRS3	Q9	Q8	31952	PPG1	Q9	Q8	78203	CHR1	Q31	Q32
31791	66SA	Q9	Q8	31954	PRS7	Q31	—	78205	CHR1	Q31	Q32
31792	66SA	Q9	Q8	31956	57SA	Q9	Q8	78206	CHR1	Q31	Q32
31793	10SA	Q9	Q8	31957	PRS7	Q31	Q29	78210	CHR1	Q31	Q32
31795	FS22	Q9	Q8	31958	PRS3	Q9	Q8	78216	CHR1	Q31	Q32
31796	37SA	Q9	Q8	31959	6SA	Q9	Q8	78225	CHR1	Q11	Q10
31799	47SA	Q25	Q24	31960	57SA	Q31	Q29	78226	CHR1	Q11	Q10
†31800	21SA	Q9	Q8	†31961	71SA	Q9	Q8	78237	CHR1	Q11	Q10
†31802	HL2	Q9	Q8	31962	S45	Q25	Q24	78241	CHR1	Q31	Q32
31803	37SA	Q9	Q8	31963	65SA	Q9	Q8	78250	CHR1	Q31	Q32
†31804	67SA	Q9	Q8	31964	37SA	Q9	Q8	78252	CHR1	Q11	Q10
†31807	22B	Q9	Q8	31967	SS5	Q25	Q24	78253	CHR1	Q11	Q10
31809	51SA	Q9	Q8	31969	57SA	Q9	Q8	78260	CHR1	Q31	Q32
31810	SS8	Q25	Q24	31970	58SA	Q9	Q10	78279	CHR1	Q11	Q10
31821	51SA	Q9	Q8	31971	47SA	Q25	Q24	78286	CHR3	Q31	Q32
†31826	22B	Q9	Q8	31973	47SA	Q25	Q24	78291	CHR1	Q11	Q10
31828	65SA	Q9	Q8	31974	CS58A	Q9	Q10	78294	CHR1	Q11	Q10
31829	70SA	Q25	Q24	31975	PRS7	Q31	—	78299	CHR1	Q11	Q10
31830	PRS9	Q9	Q8	31979	37SA	Q9	Q10	78300	CHR1	Q11	Q10
31836	57SA	Q30	Q29	31980	37SA	Q9	Q10	78301	CHR1	Q11	Q10
31837	57SA	Q9	Q8	31981	PRS7	Q9	Q10	78305	2R	Q31	Q32
31838	65SA	Q9	Q8	31982	PRS7	Q9	Q10	78311	CHR1	Q11	Q10
31839	57SA	Q9	Q8	31984	65SA	Q31	Q29	78314	CHR1	Q11	Q10
31840	57SA	Q9	Q8	31986	57SA	Q9	Q10	78328	2R	Q31	Q32
31841	57SA	Q9	Q8	31987	57SA	Q11	Q10	78331	CHR1	Q11	Q10
31847	PRS9	Q30	Q29	31988	57SA	Q31	Q29	78333	4R	Q11	Q10
†31849	SS10	Q9	Q8	31995	58SA	Q11	Q10	78336	CHR1	Q11	Q10
31850	57SA	Q9	Q8	31997	PRS7	Q31	Q29	78339	3R	Q31	Q32
31854	70SA	Q25	Q24	34005	PLC6	Q11	Q10	78344	3R	Q11	Q10
†31855	71SA	Q9	Q8	34019	PLC2	Q11	Q10	78346	3R	Q11	Q10
31857	37SA	Q9	Q8	34038	PLC6	Q11	Q10	78353	3R	Q11	Q32
31862	PRS7	Q30	Q29	34039	CRS	Q11	Q10	78356	3R	Q31	Q32
31865	6SA	Q9	Q8	34043	PLC6	Q11	Q10	78357	3R	Q31	Q32
31867	72SA	Q9	Q8	34054	PLC6	Q11	Q10	78358	3R	Q11	Q10
31869	PS7	Q9	Q8	34055	PLC6	Q11	Q10	78359	3R	Q11	Q10
31870	PRS7	Q30	Q29	34056	PLC6	Q11	Q10	78361	3R	Q31	Q32
31872	SS5	Q25	Q24	34063	PLC6	Q11	Q10	78362	3R	Q31	Q32
†31874	71SA	Q9	Q8	34065	PLC5	Q11	Q10	78363	3R	Q11	Q32
31878	PRS7	Q20	Q21	34074	CRS2	Q11	Q10	78369	3R	Q11	Q10
†31882	HL2	Q9	Q8	34090	PLC6	Q11	Q10	78370	3R	Q31	Q32
31883	37SA	Q9	Q8	34092	CRS3	Q11	Q10	78384	3R	Q31	Q32
31885	37SA	Q9	Q8	34103	CRS3	Q11	Q10	031046	TS1	Q11	Q10
31892	PRS7	Q30	Q29	34258	47SA	Q25	—	031218	PS7-1	Q11	Q10
31898	53SA	Q9	Q8	34264	47SA	Q25	—	031296	TPS1	Q11	Q10
31899	S45	Q25	Q24	34266	PS19	Q31	—	031366	PLC6	Q25	Q25
†31902	10SA	Q9	Q8	†34270	HL2	Q11	Q10	031445	22B	Q11	Q10
31904	TPS1-1	Q9	Q8	34299	70SA	Q25	—	076013	ST950	Q26	Q26
31907	37SA	Q9	Q8	34307	65SA	Q31	Q29	076411	ST18	Q25	Q25
31909	65SA	Q31	Q29	34314	37SA	Q11	Q10	076414	ST18	Q25	Q25
31912	47SA	Q25	Q24	†34328	81SA	Q11	Q10	076415	ST18	Q25	Q25
31915	37SA	Q9	Q8	76022	ST900-1	Q26	Q26	076419	ST18	Q25	Q25
31918	79SA	Q31	Q29	76404	ST10	Q25	Q25	359013	S37	Q11	Q10
31921	60SA	Q31	Q29	76412	ST18	Q25	Q25	†359236	88	Q11	Q10
31924	37SA	Q9	Q8	76421	ST950	Q26	Q26	359357	10	Q11	Q10
31928	PRS7	Q31	Q29	76422	ST950	Q26	Q26	359358	10	Q11	Q10
31931	TOS1	Q25	S4	76423	ST19-2	Q25	Q25	359671	S37	Q11	Q10
31933	57SA	Q9	Q8	76427	ST18	Q25	Q25	764248S	ST18	Q25	Q25
31936	66SA	Q9	Q8	76428	ST10	Q25	Q25	768380	CHR1	Q11	Q10
31938	PS5	Q20	Q20	76438	ST18-1	Q25	Q25				
†31939	81SA	Q9	Q8	76439	ST9	Q25	Q25				
31940	PRS9	Q31	Q29	76442	4SA	Q25	Q25				
†31942	BMS1	Q9	Q8	76464	2ST	Q26	Q26	1820410	BBNF A41	Q37	Q38
31945	37SA	Q9	Q8	76503	2S	Q31	Q29	1823410	108-1	Q37	Q38
31946	57SA	Q9	Q8	76600	ST350	Q31	Q29	1823420	108-2	Q37	Q38
31947	57SA	Q9	Q8	76602	ST350	Q31	Q29	1824890	134-19	Q37	Q38
								†1850021	285-2A	Q37	Q38

C.A.V. SWITCHES

† These switches have no serviceable spare parts ‡ Thermostart

LIGHTING AND DIRECTION INDICATOR SWITCHES



For detailed spare parts, see pages Q13-Q19

LIGHTING AND DIRECTION INDICATOR SWITCHES

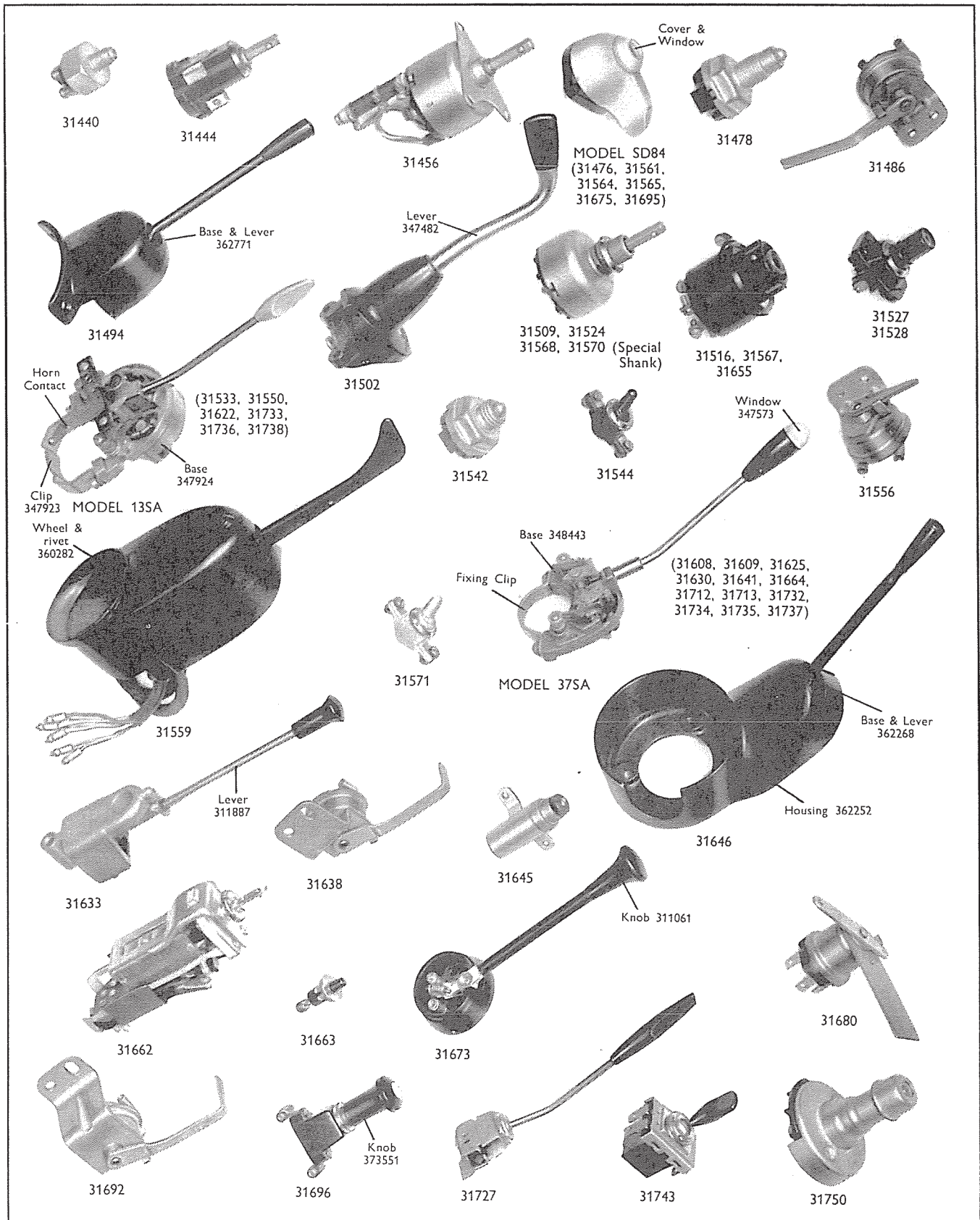


Descriptive Reference

Part No.	Model	Usage	Action	Finish	Fixing	Special Features
31001	MD6	Dipper	Lever on-off	Black bakelite	Three hole flange	Panel fitting.
31044	S37	Lighting	Rotary	Black	Two hole	Black handle, marked 'LAMPS' in green.
31056	S37	Lighting	Rotary	Black and chrome	Two hole	C.P. handle.
31073	PS9	Panel	Push on-off, tumbler	C.P. fixing nut	Single hole	Plain black knob; for Rolls-Royce.
31082	HL2	Stop lamp	Hydraulic	—	Screw-in	For hydraulic brakes; American National Taper Thread.
31091	PPG1	Lighting	Two stage pull on-push off	Moulded body; C.P. fixing nut	Single hole	Less knob.
31093	39C	Stop lamp	Pull	—	Two hole	Left hand lever.
31113	PS16	Map light	Pull on-push off	Moulded body	Single hole	Less knob; as 31154, but terminals reversed.
31114	PPG2	Foglamp	Two stage pull on-push off	Moulded body	Two hole	Less knob.
31120	PS9	Roof lamp	Push on-off, tumbler	C.P. fixing nut	Single hole	Plain ivory knob.
31126	PPG1	Interior light	Two stage pull on-push off	Moulded body; C.P. fixing nut	Single hole	Less knob.
31127	SD84	Trafficator or flasher	Rotary three way	Brown	Two hole	Red window.
31140	10	Panel	Slide	Black	Two hole	As 31161, but 5 B.A. fixing holes.
31144	39C	Stop lamp	Pull	—	Two hole	Right hand lever.
31154	PS16	Roof lamp	Pull on-push off	Moulded body	Single hole	Less knob; as 31113, but terminals reversed.
31158	PPG1	Lighting	Two stage pull on-push off	Moulded body	Single hole	Less knob.
31161	10	Panel	Slide	Black	Two hole	As 31140, but 2 B.A. fixing holes.
31173	PS9	Panel	Push on-off, tumbler	—	Single hole	Brown knob, marked 'P' in maroon.
31175	94	Step, door or boot lamp	Push	C.P.	Two hole	As 31404 except for plunger travel.
31177	95	Trafficator interrupter	Push	Black	—	Circuit breaker switch.
31183	PPG1	Lighting	Two stage pull on-push off	Moulded body; C.P. fixing nut	Single hole	Less knob; special for wooden panel.
31190	SD84	Trafficator	Rotary three way	Brown	Two hole	Red window; 12 volt bulb; no resistance; as 31311 except for finish.
31192	PS15	Panel	Pull on-push off	C.P. fixing nut	Single hole	—
31194	PRS2	Lighting and ignition	Rotary three way	Metal clad brown bakelite	Two hole	Less lock.
31198	PPG2	Roof lamp	Two stage pull on-push off	Moulded body	Two hole	Less knob.
31201	PS7-1	Map, cab or bonnet light	Pull on-push off	C.P. fixing nut	Single hole	Short thread for metal panel; as 31228 except for length of thread.
31224	U39	Lighting	Rotary three way	Black	Spring circlip	Three positions, marked 'OFF-L-H'.
31226	FS22-1	Dipper	Push on-off	Natural	Four hole flange	Foot operated; similar to 31284 except for terminals.
31227	S37	Lighting	Rotary	Black	Two hole	C.P. handle.
31228	PS7-1	Interior light	Pull on-push off	C.P. fixing nut	Single hole	Long thread for wooden panel; as 31201 except for length of thread.
31248	PS19	Lighting	Pull on-push off	Moulded body; C.P. fixing nut	Single hole	Less knob; as 31316, but terminals reversed.
31249	PRS3	Lighting	Rotary three way	Black dial; C.P. bezel	Spring circlip	Less lock.
31250	TPS1-1	Trafficator or flasher	Rotary three way	Brown	Single hole	Pneumatic time switch; as 031296, but less lever.
31260	PS9	Dipper	Push on-off, tumbler	C.P. bezel	Single hole	Plain brown knob.
31268	PRS4	Lighting	Rotary four way	Black dial; C.P. bezel	Spring circlip	—
31270	PRS3	Lighting and ignition	Rotary three way	Black dial; C.P. bezel	Spring circlip	Less lock; 12 volt.
31277	FS32	Dipper	Push on-off	Natural	Three hole flange	Special flange for American vehicles.
31281	51C	Stop tail or reverse	Pull	—	Two hole	Brake operated.
31284	FS22-1	Dipper	Push on-off	Natural	Four hole flange	Foot operated; similar to 31226 except for terminals.
31291	9RW	Dipper	Lever on-off	Black cover	Two hole flange	Marked 'ON' in white.
31299	HSC1	Lighting	Lever on-off	Black	Steering column	—
31303	PRS5	Lighting	Rotary four way	—	Single hole	Four position; less knob.
31311	SD84	Trafficator or flasher	Rotary three way	Black	Two hole	Red window; 12 volt bulb; no resistance; as 31190 except for finish.
31316	PS19	Foglamp	Pull on-push off	Moulded body; C.P. fixing nut	Single hole	Less knob; as 31284, but terminals reversed.
31331	PS20	Lighting	Rotary on-off	—	Single hole	Less knob.
31346	SC81	Trafficator	Rotary three way	C.P. lever	Steering column	—
31356	PS6	Panel or roof	Rotary on-off	C.P. bezel	Single hole	Black knob with white arrow.
31375	BMS1	Boot lamp	Gravity	Natural	Two hole	Mercury contact; for Rolls-Royce.
31379	TS82	Trafficator	Rotary three way	Black	Two hole	Dash fixing.
31382	55C	Stop lamp	Pull	—	Two hole	—
31387	PRS5	Lighting	Rotary three way	—	Single hole	Three position; head and side lights.
31404	94	Roof lamp	Push	C.P.	Two hole	As 31175 except for length of plunger travel.
31416	PRS3	Lighting and ignition	Rotary three way	C.P. bezel	Spring circlip	Less lock; six terminals.
31421	PRS3	Lighting and ignition	Rotary three way	Black bezel	Spring circlip	Less lock; five terminals.
31422	22B	Reverse lamp	Push	Black	Two hole	Less clip and screw.
31423	SD87	Trafficator	Rotary three way	Moulded body; C.P. fixing nut	Single hole	Red clear plastic rotor.
31426	PRS7	Lighting	Rotary three way	Natural	Single hole	Hexagonal fixing nut; long bush.
31428	PRS7	Lighting	Rotary four way	Natural	Single hole	Hexagonal fixing nut; short bush.
31434	PS7	Panel	Push-pull	C.P. nut	Single hole	Less knob; hexagonal spindle.
31440	HL2	Stop lamp	Hydraulic	—	Screw-in	For hydraulic brakes; as 31082, but 3/8" U.N.F. thread.

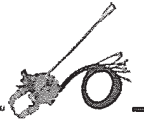


LIGHTING AND DIRECTION INDICATOR SWITCHES



For detailed spare parts, see pages Q13-Q19

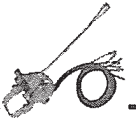
LIGHTING AND DIRECTION INDICATOR SWITCHES



Descriptive Reference—continued

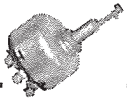
Part No.	Model	Usage	Action	Finish	Fixing	Special Features
31444	PPG1	Lighting	Two stage pull on-push off	C.P. fixing nut	Single hole	As 31126, but terminals reversed.
31456	PRS9	Panel and map light	Combined rotary and pull-push	Natural	Three hole plate	Three positions, marked 'OFF-DIM-BRIGHT'; $\frac{3}{4}$ ohm resistance.
31472	No. 8	Boot lamp and door light	Push	C.P.	Two hole	—
31476	SD84	Flasher	Rotary three way ..	Cream lever	Two hole	Red warning light; for wooden panel.
31478	SS10	Reverse light	Push	—	Screw-in	Long plunger; fitted to gearbox.
31482	No. 9	Dipper	Lever on-off	Black	1" clip	Supplied with packing piece for $\frac{3}{8}$ " bar.
31486	6SA	Stop light	Lever on-off	—	Two hole flange	Brake operated.
31494	MS6	Dipper	Lever on-off	Black	Two hole	Hand operated.
31502	SC81	Direction indicator	Lever	C.P. lever	Steering column	Self-cancelling.
31509	PRS7	Flasher	Rotary three way ..	C.P. fixing nuts	Single hole	Less knob; two fixing nuts.
31516	PRS3	Lighting and ignition	Rotary three way ..	Black	Spring	Less lock; three positions, marked 'OFF-SIDE-HEAD'.
31524	PRS7	Lighting	Rotary four way ..	C.P. fixing nut	Single hole	Less knob; four positions, marked 'OFF-SIDE-HEAD-FOG'.
31527	PS9	Interior	Push on-off, tumbler ..	C.P. fixing nut	Single hole	Black knob, marked 'INT' in white.
31528	PS9	Panel	Push on-off, tumbler ..	C.P. fixing nut	Single hole	Black knob, marked 'P' in white.
31533	13SA	Flasher	Lever three way ..	C.P. lever	Clamp	Diecast housing; stone grey knob.
31542	SS10	Reverse light	Push	—	Screw-in	Short plunger; fitted to gearbox.
31544	18SA	Panel	Toggle	C.P. fixing nut	Single hole	Black moulded knob.
31550	13SA	Flasher	Lever three way ..	C.P. lever	Clip	Pipe grey knob.
31556	6SA	Stop light	Lever on-off	—	Two hole flange	Brake operated.
31559	20SA	Direction indicator	Lever	Black	Steering column	Self-cancelling.
31561	SD84	Flasher	Rotary three way ..	Cream	Two hole	Red window; 6 volt bulb.
31564	SD84	Flasher	Rotary three way ..	Black body; cream bezel ..	Two hole	Green window; 12 volt bulb.
31565	SD84	Flasher	Rotary three way ..	Black body; cream bezel ..	Two hole	Green window; 24 volt bulb.
31567	PRS3	Lighting and ignition	Rotary three way ..	Black	Spring	Less lock and knob.
31568	PRS7	Lighting	Rotary three way ..	C.P. fixing nut	Single hole	—
31570	PRS7	Pillar light	Rotary three way ..	C.P. fixing nut	Single hole	Special shank; for Rolls-Royce.
31571	18SA	Roof and map lights	Toggle	C.P. fixing nut	Single hole	White moulded handle.
31600	PS6	Foglamp	Rotary on-off	C.P. bezel	Single hole	Short body; plain black knob.
31608	37SA	Flasher	Lever three way ..	C.P. lever	Clip	Illuminated knob.
31609	37SA	Flasher	Lever three way ..	C.P. lever	Clip	—
31611	TS82	Trafficator	Rotary three way ..	Black	Two hole	Column fixing.
31622	13SA	Flasher	Lever three way ..	C.P. lever	Clip	Pipe grey knob.
31625	37SA	Flasher	Lever three way ..	C.P. lever	Clip	Black knob; incorporates horn contact.
31630	37SA	Flasher	Lever three-way ..	C.P. lever	Clip	Illuminated knob.
31633	42SA	Flasher and horn ..	Combined lever and push	C.P. lever	Clip	Black knob.
31638	6SA	Stop lamp	Lever on-off	—	Two hole flange	Brake operated.
31641	37SA	Flasher	Lever three way ..	C.P. lever	Clip	Pebble grey knob; incorporates knob contact.
31645	BMS1	Boot lamp	Gravity	Natural	Two hole	Mercury contact; for Rolls-Royce.
31646	MS6	Dipper	Lever on-off	Black	Two hole	Hand operated.
31655	PRS3	Lighting	Rotary three way ..	Black; C.P. rim	Spring	Three positions, marked 'OFF-S-H'.
31662	10SA	Lighting	Combined rotary and pull	C.P. fixing nut	Single hole	Less knob; pull for exterior lamps, rotate for interior.
31663	54SA	Courtesy light	Push	—	Single hole	Amber warning light in handle.
31664	37SA	Direction indicator	Lever three way ..	C.P. lever	Clip	Hand operated.
31673	MS6	Dipper	Lever on-off	Black	Two hole	Red window; 6 volt bulb.
31675	SD84	Flasher	Rotary three way ..	Black base; cream cover ..	Two hole	For Borg Warner transmission only; is also an inhibitor switch.
31680	55SA	Reverse lamp	Rotary, lever operated	—	Flange	Brake operated.
31692	6SA	Stop lamp	Lever on-off	—	Flange	Brake operated.
31695	SD84	Direction indicator	Rotary three way ..	Cream	Two hole	No warning light.
31696	56SA	Reverse lamp	Pull on-push off	C.P. fixing nut	Single hole	Hand operated.
31712	37SA	Flasher	Lever three way ..	C.P. lever	Clip	Black knob; incorporates horn contact.
31713	37SA	Flasher	Lever three way ..	C.P. lever	Clip	Black knob; incorporates horn contact.
31727	52SA	Dipper	Toggle	C.P. fixing nut	Single hole	Hand operated; black knob.
31732	37SA	Flasher	Lever three way ..	C.P. lever	Clip	Pearl grey knob; L.H. cranked lever.
31733	13SA	Flasher	Lever three way ..	C.P. lever	Clip	Pearl grey knob; for U.S.A. only.
31734	37SA	Flasher	Lever three way ..	C.P. lever	Clip	Black knob; R.H. cranked lever.
31735	37SA	Flasher	Lever three way ..	C.P. lever	Clip	Black knob; L.H. cranked lever.
31736	13SA	Flasher	Lever three way ..	C.P. lever	Clip	Black knob; for U.S.A. only.
31737	37SA	Flasher	Lever three way ..	C.P. lever	Clip	Pebble grey knob.
31738	13SA	Flasher	Lever three way ..	C.P. lever	Clip	Pebble grey knob; for U.S.A. only.
31743	57SA	Trafficator	Toggle three way ..	C.P. fixing nut	Single hole	Black knob.
31750	21SA	Dipper	Push on-off	—	Two hole	Foot operated.
31755	42SA	Trafficator and horn push	Combined lever and push	C.P. lever	Clip	With warning light in handle.
31756	42SA	Flasher and horn push	Combined lever and push	C.P. lever	Clip	With warning light in handle.
31760	37SA	Direction indicator	Lever three way ..	C.P. lever	Clip	Illuminated knob.
31765	37SA	Direction indicator	Lever three way ..	C.P. lever	Clip	Amber warning light in handle.
31769	51SA	Lighting and horn push	Combined rotary and push	Black body; grey knob ..	Steering column	For 12 volt circuit.
31776	37SA	Direction indicator	Lever three way ..	Black	Clip	Two-piece diecast cover; special knob.
31780	57SA	Interior light	Toggle two way ..	C.P. nut; black handle ..	Single hole	Hexagon nut; Lucar connectors
31788	57SA	Lighting	Toggle three way ..	C.P. nut; black handle ..	Single hole	Hexagon nut; Lucar connectors.

LIGHTING AND DIRECTION INDICATOR SWITCHES

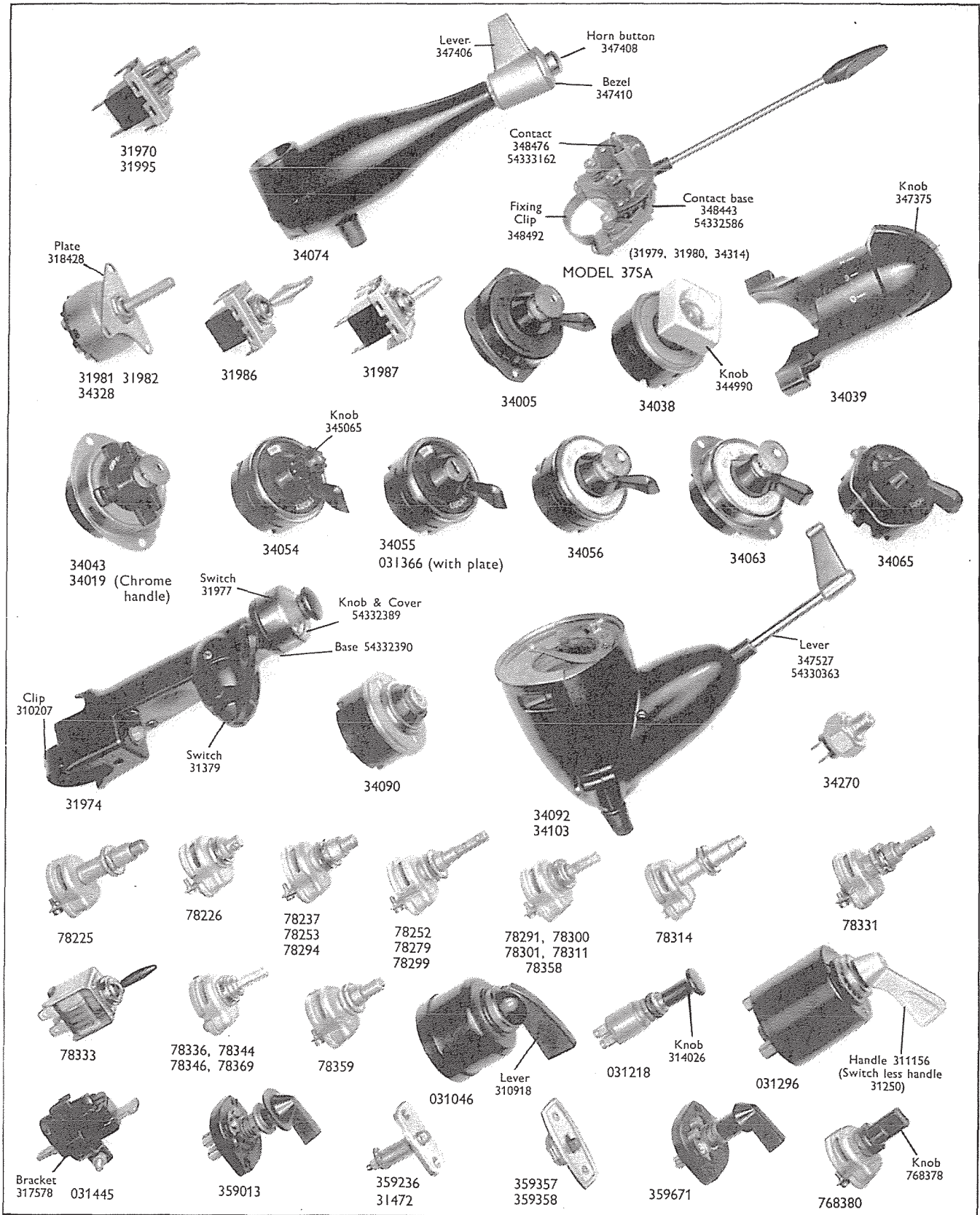


Descriptive Reference—continued

Part No.	Model	Usage	Action	Finish	Fixing	Special Features
31790	PR53	Lighting and ignition	Rotary three way ..	Black dial; C.P. bezel ..	Spring circlip	Less lock; 24 volt.
31791	66SA	Lighting, flasher and horn push	Multiple	—	Steering column	Four position, off, side, dip and head; warning lights in casting.
31792	66SA	Lighting and horn push	Multiple	—	Steering column	Four position, off, side, dip and head.
31793	10SA	Lighting	Two stage pull on—push off	C.P. fixing nut	Single hole	Less knob.
31795	FS22-1	Dipper	Push on—off	Natural	Two hole flange	Foot operated; similar to 31234, but with special sunken fixing bracket.
31796	37SA	Flasher	Lever three way ..	C.P. lever	Clip	Pebble grey knob; incorporates horn contact.
31800	21SA	Dipper	Push on—off	—	Two hole	Foot operated.
31802	HL2	Stop lamp	Hydraulic	—	Screw-in	For hydraulic brakes; Lucar connectors.
31803	37SA	Flasher	Lever three way ..	C.P. lever	Clip	Lucar connectors.
31804	67SA	Door pillar	Slide	C.P. cover; black knob ..	Push-in	Lucar connectors.
31807	22B	Reverse light ..	Push	Black	Two hole strap	Gear operated; Lucar connectors.
31809	51SA	Lighting and horn push	Combined rotary and push	Black body; grey knob ..	Steering column	For 24 volt circuit.
31821	51SA	Lighting, horn push and flasher	Combined rotary and push	Green base	Steering column	For 24 volt circuit.
31826	22B	Reverse light ..	Push	Black	Two hole strap	Gear operated.
31828	65SA	Panel light	Lever on—off	C.P. fixing nut; black knob ..	Single hole	Lucar connectors.
31830	PRS9	Map and panel light	Combined rotary and push—pull	Natural	Three hole plate	Three positions, marked 'OFF-DIM-BRIGHT'; 1-3 ohms resistance.
31837	57SA	Lighting	Toggle three way ..	C.P. fixing nut; black knob ..	Single hole	47 ohms resistance.
31838	65SA	Panel light	Lever on—off	C.P. bezel; black knob ..	Single hole	Special bevelled bezel; Lucar connectors.
31839	57SA	Panel light	Toggle	C.P. bezel; black knob ..	Single hole	Special bevelled bezel.
31840	57SA	Driving lamp ..	Toggle three way ..	C.P. fixing nut; black knob ..	Single hole	Lucar connectors.
31841	57SA	Lighting	Toggle three way ..	C.P. bezel; black knob ..	Single hole	Special countersunk bezel; Lucar connectors.
31849	SS10	Reverse lamp ..	Gear lever operated ..	—	Screw-in	Lucar connectors.
31850	57SA	Lighting	Toggle three way ..	C.P. fixing nut; black knob ..	Single hole	47 ohms resistance.
31855	71SA	Lighting	Lever three way ..	C.P. lever; grey knob ..	Steering column	Three positions: off, dip and main beam.
31857	37SA	Flasher	Lever three way ..	C.P. lever	Clip	Amber window; 12 volt bulb.
31865	6SA	Stop lamp	Lever on—off	—	Two hole flange	Brake operated; extra long lever.
31867	72SA	Flasher	Lever three way ..	C.P. lever; grey knob ..	Steering column	—
31869	PS7	Panel light	Pull on—push off ..	C.P. fixing nut	Single hole	Less knob.
31874	71SA	Lighting	Lever three way ..	C.P. lever; grey knob ..	Steering column	For North America only.
31882	HL2	Stop lamp	Hydraulic	—	Screw-in	For hydraulic brakes; Lucar connectors.
31883	37SA	Direction indicator	Lever three way ..	C.P. lever	Clip	Green window; incorporates horn contact.
31885	37SA	Direction indicator	Lever three way ..	C.P. lever	Clip	Green window; no horn contact.
31898	23SA	Headlamp flasher ..	Pull on—push off ..	C.P. lever; black knob ..	Single hole	For North America; optional fitment.
31902	10SA	Lighting and panel	Combined rotary and pull—push	—	Single hole	Two stage pull for exterior lights, rotate for panel lights.
31904	TPS1-1	Flasher	Pneumatic	—	Single hole	Less lever.
31907	37SA	Flasher	Lever three way ..	C.P. lever	Clip	Incorporates horn contact.
31915	37SA	Flasher	Lever three way ..	Black knob	Clip	Special lever; for Rolls-Royce and Bentley.
31924	37SA	Flasher	Lever three way ..	C.P. lever	Clip	Window in knob.
31933	57SA	Lighting	Toggle three way ..	C.P. fixing nut; black knob ..	Single hole	Lucar connectors; with resistance.
31936	66SA	Lighting and horn push	Rotary lever and push button	Matt black	Steering column	Four positions: off, side, dip and head.
31939	81SA	Map and panel light	Combined pull and rotary three way	—	Three hole plate	19 ohms resistance; for Rolls-Royce and Bentley.
31942	BMS1	Boot light	Gravity	—	Two hole strap	Mercury contact.
31945	37SA	Trafficator	Lever three way ..	C.P. lever	Clip	Green window in handle.
31946	57SA	Lighting	Toggle three way ..	C.P. fixing nut	Single hole	Lucar connectors.
31947	57SA	Panel	Toggle three way ..	C.P. fixing nut	Single hole	Lucar connectors.
31951	58SA	Lighting	Two stage pull on—push off	C.P. fixing nut	Single hole	Less knob; Lucar connectors.
31952	PPG1	Lighting	Two stage pull on—push off	Moulded body; C.P. fixing nut	Single hole	Special nut with longer sleeve.
31956	57SA	Panel	Toggle	C.P. fixing nut	Single hole	Lucar connectors.
31958	PRS3	Lighting and ignition	Rotary three way ..	C.P. rim	Spring circlip	Less lock; Lucar connectors.
31959	6SA	Stop lamp	Lever on—off	—	Flange	Brake operated; angled lever.
31961	71SA	Lighting	Lever four way ..	C.P. lever; grey knob ..	Steering column	Four positions: off, side, dip and main beam; for left hand drive.
31963	65SA	Map and interior ..	Lever on—off	C.P. fixing nut; black lever ..	Single hole	Lucar connectors.
31964	37SA	Flasher	Lever three way ..	C.P. lever; black knob ..	Clip	Less fixing clip.
31969	57SA	Panel light	Toggle three way ..	C.P. fixing nut; black lever ..	Single hole	4 ohms resistance.
31970	58SA	Lighting	Two stage pull on—push off	C.P. fixing nut	Single hole	Less knob; Lucar connectors.
31974	CS58A	Trafficator and horn push	Lever three way and push	Black; C.P. cover	Steering column	—
31979	37SA	Flasher	Lever three way ..	C.P. lever; black knob ..	Clip	For right hand drive.
31980	37SA	Flasher	Lever three way ..	C.P. lever; black knob ..	Clip	For left hand drive.
31981	PRS7	Lighting	Rotary four way ..	Natural	Three hole plate	Less knob.
31982	PRS7	Lighting	Rotary three way ..	Natural	Three hole plate	Less knob.
31986	57SA	Flasher	Toggle three way ..	C.P. fixing nut; cream knob	Single hole	—



LIGHTING AND DIRECTION INDICATOR SWITCHES



For detailed spare parts, see pages Q13-Q19

LIGHTING AND DIRECTION INDICATOR SWITCHES



Descriptive Reference—continued

Part No.	Model	Usage	Action	Finish	Fixing	Special Features
31987	57SA	Lighting	Toggle three way ..	C.P. fixing nut; cream knob	Single hole	—
31995	58SA	Lighting	Two stage pull on—push off	C.P. fixing nut	Single hole	Less knob; Lucar connectors.
34005	PLC6	Lighting and ignition	Rotary three way ..	Brown dial; upswept knob ..	Four hole flange	No lettering.
34019	PLC2	Lighting and ignition	Rotary three way ..	C.P. dial and handle	Two hole flange	Marked 'OFF—SIDE—HEAD'.
34038	PLC6	Lighting and ignition	Rotary three way ..	Square ivory knob	Single hole	No marking.
34039	CRS	Lighting	Rotary three way ..	Black	Steering column	Marked 'O—S—H'.
34043	PLC6	Lighting and ignition	Rotary three way ..	Black handle and dial ..	Two hole flange	Marked 'OFF—SIDE—HEAD'.
34054	PLC6	Lighting and ignition	Rotary three way ..	C.P. bezel; black handle and knob	Spring circlip	Dial marked 'OFF—S—H'. knob marked 'ON'.
34055	PLC6	Lighting and ignition	Rotary three way ..	C.P. bezel; black upswept handle	Spring circlip	Marked 'OFF—S—H'.
34056	PLC6	Lighting and ignition	Rotary three way ..	Cream dial; brown upswept handle	Spring circlip	Marked 'OFF—S—H' in brown.
34063	PLC6	Lighting and ignition	Rotary three way ..	Cream dial; brown handle ..	Two hole flange	Marked 'OFF—S—H' in brown.
34065	PLC5	Lighting	Rotary three way ..	Black	Spring circlip	Marked 'OFF—S—H'.
34074	CRS2	Lighting and horn push	Push and rotary four way	Black	Steering column	Marked 'OFF—SIDE—HEAD—DIP'.
34090	PLC6	Lighting and ignition	Rotary three way ..	—	Spring circlip	Less handle; complete with lock.
34092	CRS3	Lighting	Rotary four way ..	Black; C.P. lever	Steering column	—
34103	CRS3	Lighting	Rotary four way ..	Black; C.P. lever	Steering column	—
34270	HL2	Stop lamp	Hydraulic	—	Screw-in	Metric thread; Lucar connectors.
34314	37SA	Flasher	Lever three way ..	C.P. lever; black knob ..	Clip	For left hand side of column.
34328	81SA	Map and panel ..	Combined pull and rotary three way	—	Plate	40 ohms resistance; Lucar connectors; for Rolls-Royce and Bentley.
78225	CHR1	Panel light	Rotary	Brass fixing nut	Single hole	Less knob; 1½" bush; 4.25 ohms resistance; grub screw knob fitting.
78226	CHR1	Panel light	Rotary	C.P. fixing nut	Single hole	Less knob; ½" bush; 2.35–2.65 ohms resistance; grub screw knob fitting.
78237	CHR1	Panel light	Rotary	C.P. fixing nut	Single hole	Less knob; 5/16" bush; 14–16 ohms resistance; grub screw knob fitting.
78252	CHR1	Panel light	Rotary	Brass fixing nut	Single hole	Less knob; 5/16" bush; 23.3–26.7 ohms resistance; push-on knob fitting.
78253	CHR1	Panel light	Rotary	C.P. fixing nut	Single hole	Less knob; 5/16" bush; 7–8 ohms resistance; grub screw knob fitting.
78279	CHR1	Panel light	Rotary	Brass fixing nut	Single hole	Less knob; 5/16" bush; 5–6 ohms resistance; push-on knob fitting.
78291	CHR1	Panel light	Rotary	C.P. fixing nut	Single hole	½" bush; 23.3–26.7 ohms resistance; push-on knob fitting.
78294	CHR1	Panel light	Rotary	C.P. fixing nut	Single hole	5/16" bush; 11.6–13.4 ohms resistance; grub screw knob fitting.
78299	CHR1	Panel light	Rotary	Brass fixing nut	Single hole	Less knob; 5/16" bush; 11.6–13.4 ohms resistance; push-on knob fitting.
78300	CHR1	Panel light	Rotary	Brass fixing nut	Single hole	½" bush; 8.5–9 ohms resistance; less knob, rotor and spindle.
78301	CHR1	Panel light	Rotary	Brass fixing nut	Single hole	½" bush; 4.5–5 ohms resistance; less knob, rotor and spindle.
78311	CHR1	Panel light	Rotary	C.P. fixing nut	Single hole	Less knob; ½" bush; 11.6–13.4 ohms resistance; push-on knob fitting.
78314	CHR1	Panel light	Rotary	C.P. fixing nut	Single hole	Less knob; 1½" bush; 11.6–13.4 ohms resistance; grub screw knob fitting.
78331	CHR1	Panel light	Rotary	C.P. fixing nut	Single hole	Push-on knob; 5/16" bush; 11 ohms resistance.
78333	4R	Panel light	Toggle	C.P. fixing nut; black knob ..	Single hole	7–8 ohms resistance; Lucar connectors.
78336	CHR1	Panel light	Rotary	C.P. fixing nut	Single hole	Less knob; 15 ohms resistance; push-on knob fitting.
78344	3R	Panel light	Rotary	C.P. fixing nut	Single hole	Less knob; .84" bush; 12.5 ohms resistance.
78346	3R	Panel light	Rotary	C.P. fixing nut	Single hole	Less knob; .44" bush; 12.5 ohms resistance.
78353	3R	Panel light	Rotoary	C.P. fixing nut	Single hole	Less knob; .437" bush; 25 ohms resistance.
78358	3R	Panel light	Rotary	C.P. fixing nut	Single hole	Less knob; 25 ohms resistance.
78359	3R	Panel light	Rotary	C.P. fixing nut	Single hole	5–6 ohms resistance.
78363	3R	Panel light	Rotary	C.P. fixing nut	Single hole	Less knob; 12.5 ohms resistance.
78369	3R	Panel light	Rotary	C.P. fixing nut	Single hole	—
031046	TS1	Trafficator	Rotary three way	Brown	Single hole	Less knob; .84" bush; 12.5 ohms resistance.
031218	PS7-1	Panel light	Pull on—push off ..	C.P. fixing nut	Single hole	Time switch; complete with lever. Comprises switch 31201 and knob 314026.
031296	TPS1	Direction indicator	Rotary three way ..	Brown	Single hole	Pneumatic time switch; as 31250, but complete with handle 311156.
031445	22B	Stop lamp	Pull on	Black	Clip	Less clip and screw.
359013	S37	Lighting	Rotary three way ..	—	Two hole	With cable.
359236	88	Boot light	Push	C.P.	Two hole	As 359358, but larger; black knob.
359357	10	Panel light	Slide	C.P. escutcheon plate	Two hole	As 359357, but smaller; black knob.
359358	10	Roof or boot light	Slide	C.P. escutcheon plate	Two hole	Complete with lever and stem.
359671	S37	Foglamp	Rotary on—off	Moulded body	Two hole	½" bush; 7–8 ohms resistance; complete with knob.
768380	CHR1	Panel light	Rotary	Black fixing nut	Single hole	—



LIGHTING AND DIRECTION INDICATOR SWITCHES

For details of switches with serviceable parts consisting only of terminal screw or sleeve and/or fixing nut with or without a washer, see page Q17

SPRINGS

HEADPIECES

HOUSINGS

SWITCH

TYPICAL SWITCH PARTS

RUBBER CAPS, RING AND PAD

CONTACT BASES

ESCUTCHEON PLATES

For detailed spare parts, see pages Q13-Q19

LIGHTING AND DIRECTION INDICATOR SWITCHES

DETAILED SPARE PARTS

Part No. Model	31001 MD6	31127 SD84	31190 SD84	31201 PS7-1	31224 U39	31227 S37	31228 PS7-1	31249 PRS3	31250 TPSI-1	31268 PRS4	31270 PRS3	31291 No. 9	31299 HSCI
Flange, base	359870				351567	327074						380488	
§Handle, fixing									**311156				311061
§Knob					126544				136410				
Screw, fixing base, handle or cover	136410				166103				166160				
Nut, contact stud or cover screw	188412				188408								
§Washer, fixing screw					351785				311314				
Shaft headpiece, or spindle and contacts					351660				311144				
Roller, contact					351661				311102				
Plunger					351662				121610				
Spring, plunger					120560				124069				126463
§Screw, terminal	124300								185000				185040
§Washer, terminal screw													
Cover and window													
§Bulb													
§Key													
Nut, fixing													
Nut, fixing, rear													
Washer, spring or shakeproof													
Spring, fixing													
§Ring, fixing													
Part No. Model	31303 PRS5	31311 SD84	31331 PS20	31346 SC81	31356 PS6	31387 PRS5	31416 PRS3	31421 PRS3	31423 SD87	31426 PRS7	31428 PRS7	31434 PS7	31476 SD84
§Screw, terminal	132504	120560	132464		121610	132504	132464	132464	132464	132464	132464	120560	120560
§Washer, terminal screw	185000		185000			185000	185000	185000	188412	185000	185000		310738
Cover and window													987
§Bulb													
Nut or screw, fixing	182660		315081			182660							
Nut, fixing, rear													
Washer, fixing nut or screw													
Spring, fixing													
§Lever													
§Headpiece, action													
Contact base													
Sundry parts, set													
Part No. Model	31482 No. 9	31494 MS6	31502 SC81	31509 PRS7	31516 PRS3	31524 PRS7	31533 PRS3	31544 PRS3	31550 PRS3	31561 SD84	31564 SD84	31565 SD84	31567 PRS3
§Screw, terminal or cable clip	120610	124300		132464	132464	132464		132564		120560	120560	120560	132464
§Washer, terminal screw or cable clip				185000	185000	185000		185009		120560	120560	120560	185000
Cover and window													
§Bulb													
Nut, clip or screw fixing	380427	136410		182660		182660		315081					
Screw, cover fixing													
Nut, fixing, rear													
Washer, fixing nut or screw													
Contact, horn, or connector, bulb													
Spring, fixing, or pawl centering													
§Lever													
§Headpiece, action													
Contact base													
Sundry parts, set													
Wheel and rivet													

† Plain washer ‡ Housing 347798 supplied separately; cable channel 347683, contact plate 347779 and striker 347818 serviced by Vehicle Manufacturer
 § Recommended spares for stock
 ¶ Terminal nut § And lever
 ** Supplied separately †† Screw, cover fixing

continued

LIGHTING AND DIRECTION INDICATOR SWITCHES

DETAILED SPARE PARTS

Part No.	31809	31821	31857	31867	31869	31883	31885	31904	31907	31915	31924	31936	31945
Model	51SA	51SA	37SA	72SA	PS7	37SA	37SA	TFSI-1	37SA	37SA	37SA	66SA	37SA
Bezel	347849	347849										54330310	31945
Knob	54330574	54330574										54330335	37SA
Contact, horn	54330890	54330552				348613			348476		348613	54330890	348613
Lever	54330337	54330337										54330331	
Plate, action												54331625	
Base, contact, or rotor and tube	54330794	54330794	348443			348443	348443		348443	348443	348443	54330889	348443
Window and/or cowl			347573			54331222	54331222				54331222	54330891	54331222
Bulb			280			280	280				280	280	280
Bulb holder			54330988			347769	348640				347769		347769
Connector, Lucar								199218					
Washer, terminal screw								185012					
Screw or clip, switch or cover fixing								136410					
Nut, terminal screw			54330333			348442	348442	54130176					348442
Spring, horn push, or pawl centering			348323	54332104		348323	438323						348323
Spring, catch or plunger earthing				54331088		347929			348323				347929
Nut, fixing													
Nut, fixing, rear					314017								
Washer, spring or shakeproof					180670								
Switch, flasher, or spindle and contacts					185081								
Pawl or plunger													
Felt, valve													
Grommet, casing													
Bracket, clamp or fixing	348643												
Sundry parts, set	348642											54330288	
	54330577	54330577										54330892	

Part No.	31958	31964	31974	31979	31980	31981	31982	34038	34039	34043
Model	PRS3	37SA	CS38A	37SA	37SA	PRS7	PRS7	PLC6	CRS	PLC6
Knob			54332389					344990	347375	34043
Lock and driving cup								345070		PLC6
Contact, horn		54333162		348476	348476					
Contact, switch or base		54332586		348443	348443					
Rotor										
Switch, trafficator										
Switch, horn push and dipper										
Window, bulb										
Bulb										
Bulb holder										
Screw, terminal										
Washer, terminal screw										
Screw or clip, switch fixing										
Spring, fixing, or pawl centering										
Spring, earthing or main										
Nut, fixing										
Plate, fixing nut										
Screw, plate fixing										

† Flasher switch § Recommended spares for stock †† Cover fixing †† And cover § Warning light †† Screw, terminal †† Screw †† Clip

continued

LIGHTING AND DIRECTION INDICATOR SWITCHES

DETAILED SPARE PARTS

Part No. Model	34054 PLC6	34055 PLC6	34056 PLC6	34063 PLC6	34065 PLC5	34074 CRS2	34090 PLC6	34092 CRS3	34103 CRS3	34314 37SA	†78225 CHRI	†78226 CHRI
Knob or lever	345065					347406		347527	54330363		768378 119347	768473 119347
Screw, knob fixing							345070					
Lock and driving cup		345070	345070	345070								
Button, horn, or contact, warning light						347408 347410				54333162 54332586		
Bezel, button retaining												
§Contact, switch						347432		‡347526				
Base, rotor and tube							120560					
§Screw, terminal	120560										135481 188412	135481 188412
§Washer, shakeproof												
Spring, fixing, or pawl centering	344197	344197	344197		344197					348323	183796 185106 175328	183897 185106 182660
Nut, fixing, front												
Washer, spray												
Nut, fixing, rear												
Sundry parts, set						347444						
Part No. Model	†78237 CHRI	78252 CHRI	†78253 CHRI	78279 CHRI	†78291 CHRI	†78294 CHRI	78300 CHRI	78301 CHRI	78311 CHRI	78314 CHRI	78331 CHRI	
§Knob...	768378		768473		768883	768378						
Screw, knob fixing	119347		119347			119347						
§Screw, terminal	135481	135481	135481	135481	135481	135481	135481	135481	135481	135481	135481	135481
§Washer, shakeproof	188412	188412	188412	188412	188412	188412	188412	188412	188412	188412	188412	188412
Nut, fixing, front	183897	182660	183897	182660	183897	183897	182660	182660	183897	183897	183897	183897
Washer, spring	185106	185106	185106	185106	185106	185106	185106	185106	185106	185106	185106	185106
Nut, fixing, rear	182660	182660	182660	182660	182660	182660	182660	182660	182660	182660	182660	182660
Part No. Model	78336 CHRI	78344 3R	78346 3R	78353 3R	78358 3R	78359 3R	78363 3R	78369 3R	031218 PS7-1	031296 TPS1	031445 22B	768380 CHRI
Switch only												
Lever or knob										31250 311156 121610		768378 134581 188412
§Screw, terminal	135481	132464	132464	132464	161136	161136	132464	132464	314026			
§Washer, terminal screw	188412	185000	185000	185000	185000	185000	185000	185000	120560			
Nut or bracket, fixing	183891	153601	153601	153601	54130211	183971	153636	153636	314017			
Washer, spring	185106	185106	185106	185106	185106	185106	185106	185106	185081			
Nut, fixing, rear	182660	153636	153636	153636	153636	175328	153636	153636	180093			
Spindle												
Plunger												
Spring												

† Rotor only

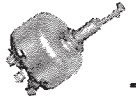
‡ Recommended spares for stock

§ Bracket parts

¶ Screw, lever or knob fixing

‡ Knob supplied separately

LIGHTING AND DIRECTION INDICATOR SWITCHES



Serviceable spare parts for the following switches consist only of the terminal screw or sleeve and/or fixing nut with or without a washer

DETAILED SPARE PARTS

Part No.	Model	§Screw or sleeve, terminal	§Washer, terminal	Nut, fixing	Washer, fixing nut
31044	S37	121610	—	—	—
31056	S37	121610	—	—	—
31073	PS9	120560	—	314540	—
31082	HL2	120560	—	—	—
31091	PPG1	120560	—	316101	—
31093	39C	120560	—	—	—
31113	PS16	120560	—	—	—
31114	PPG2	120560	—	—	—
31120	PS9	120560	—	315307	—
31126	PPG1	120560	—	316101	—
31140	10	120560	—	—	—
31144	39C	120560	—	—	—
31154	PS16	120560	—	—	—
31158	PPG1	120560	—	183897	—
31161	10	120560	—	—	—
31173	PS9	120560	—	315307	—
31183	PPG1	120560	—	315043	—
31192	PS15	†188818	—	315081	—
31194	PRS2	120560	—	—	—
31198	PPG2	120560	—	—	—
31226	FS22-1	132464	185000	—	—
31248	PS19	120560	—	315081	—
31260	PS9	120560	—	315307	—
31277	FS32	132464	185000	—	—
31281	54C	120560	—	—	—
31284	FS22-1	132464	185000	—	—
31316	PS19	120560	—	315081	—
31379	TS82	120560	‡120610	—	—
31382	55C	120560	—	—	—
31440	HL2	120560	—	—	—
31444	PPG1	120560	—	316101	—
31456	PRS9	132464	185000	—	—
31478	SS10	120560	—	—	—
31486	6SA	†188818	—	—	—
31527	PS9	120560	—	314540	—
31528	PS9	120560	—	314540	—
31542	SS10	120560	—	—	—
31571	18SA	—	—	315081	—
31611	TS82	120560	‡120610	—	—
31638	6SA	†188818	—	—	—
31662	10SA	—	—	314017	—
31692	6SA	†188818	—	—	—
31727	52SA	—	—	153601	—
31743	57SA	—	—	153631	54148517
31750	21SA	102766	—	—	—
31780	57SA	—	—	153631	54148517
31788	57SA	—	—	153631	54148517
31793	10SA	—	—	314017	—
31795	FS22-1	132464	185000	—	—
31828	65SA	—	—	153601	54148517
31830	PRS9	132464	185000	—	—
31837	57SA	—	—	153601	54148517
31838	65SA	—	—	54130081	—
31839	57SA	—	—	54130081	—
31840	57SA	—	—	54130081	—
31841	57SA	—	—	54130081	—
31850	57SA	—	—	153601	54148517
31865	6SA	†188818	—	—	—
31898	23SA	—	—	153601	54148517
31946	57SA	—	—	54130281	54148517
31947	57SA	—	—	54130281	54148517
31951	58SA	—	—	153601	185106
31952	PPG1	120560	—	54130291	—
31956	57SA	—	—	153601	54148517
31959	6SA	†188818	—	—	—
31963	65SA	—	—	153601	54148517
31969	57SA	—	—	153601	54148517
31970	58SA	—	—	153601	185106
31986	57SA	—	—	153601	54148517
31987	57SA	—	—	153601	54148517
31995	58SA	—	—	‡54130361	—
78333	4R	—	—	153601	185106
359013	S37	120610	—	—	—
359357	10	120610	—	—	—
359358	10	120610	—	—	—
359671	S37	120610	—	—	—

† Sleeve

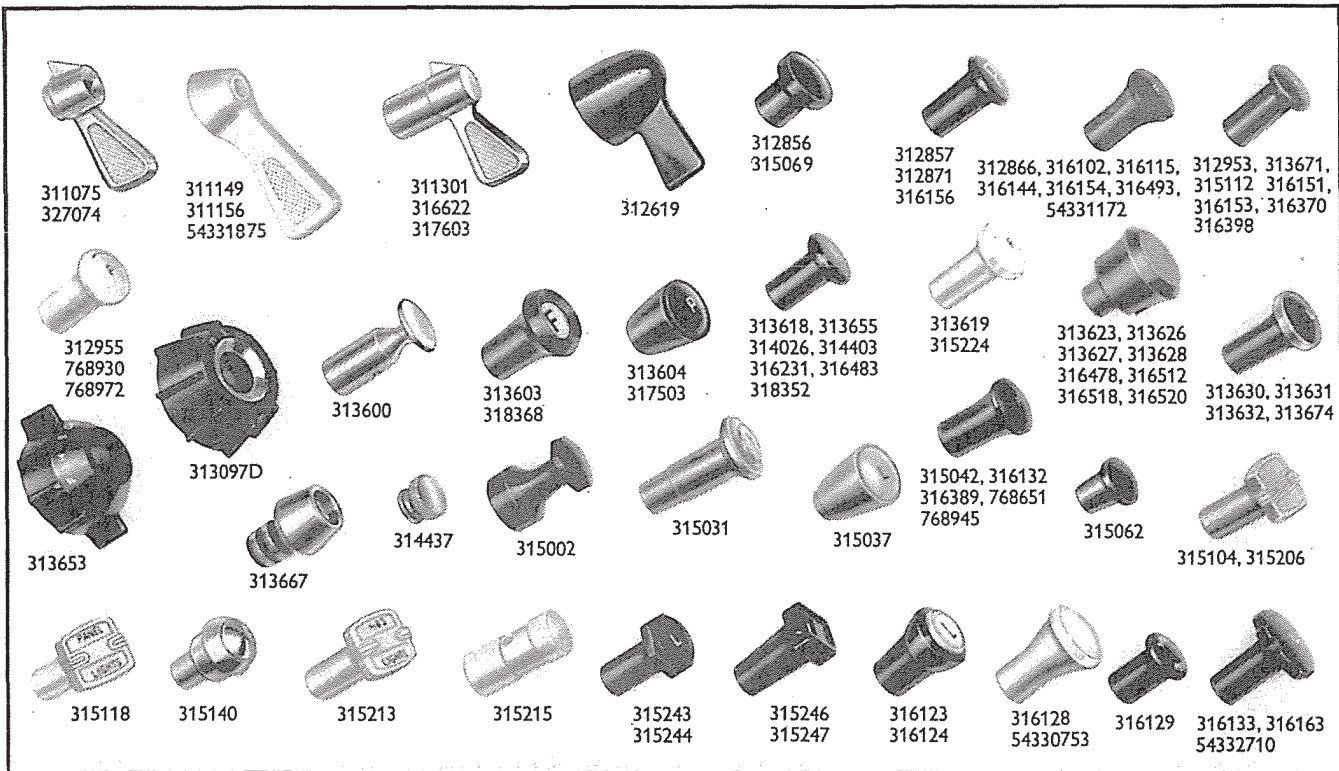
‡ Terminal screw

§ Recommended spares for stock

|| Nut, terminal



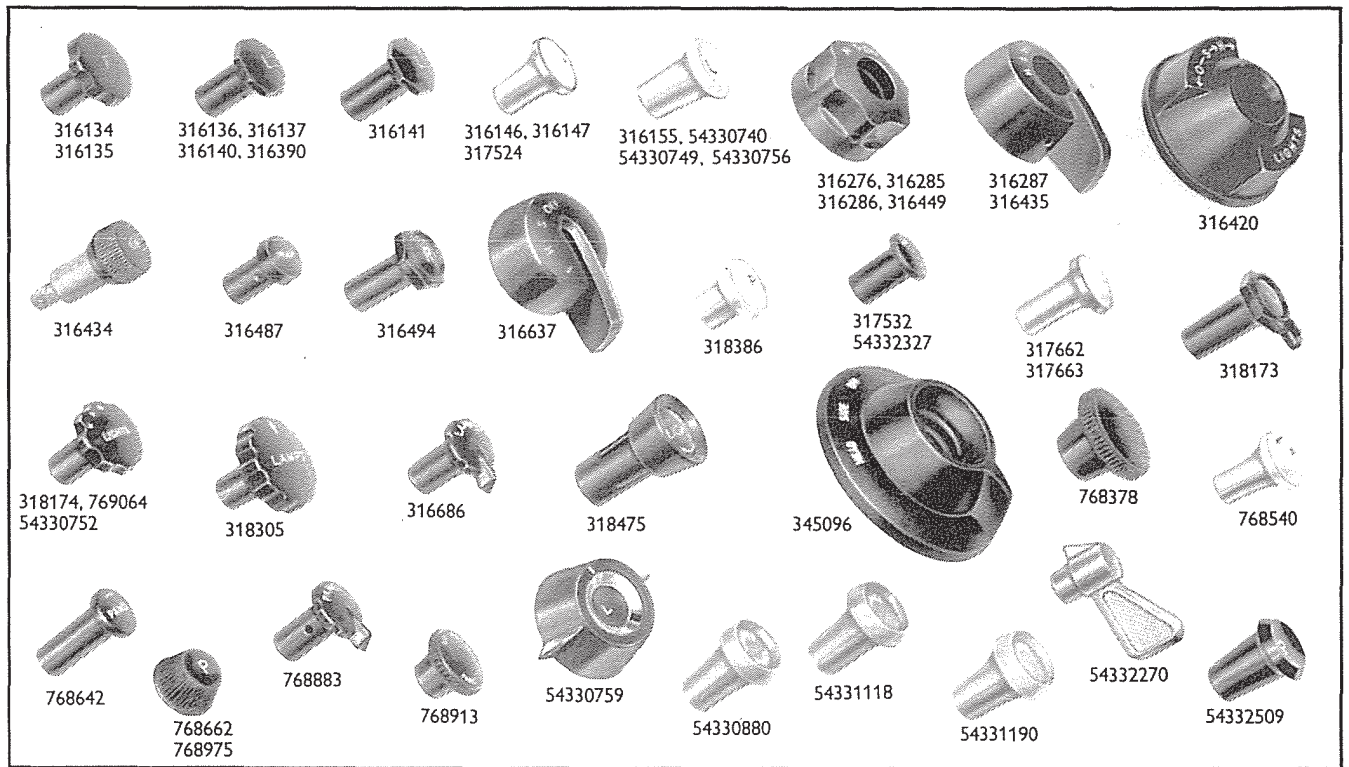
LIGHTING AND DIRECTION INDICATOR SWITCHES



KNOBS, HANDLES AND LEVERS

Part No.	Model	Finish	Marking	Method of Fitting	Part No.	Model	Finish	Marking	Method of Fitting
311075	TPS1	C.P.	—	5 B.A. screw 145600	315031	PPG1	C.P.	Raised 'L'	Push on
311149	TPS1	Brown	—	—	315037	PPG1	Cream	'L' in maroon	Push on
311156	TPS1	Cream	—	5 B.A. screw 107461	315042	PPG1	Brown	Plain	Push on
311301	TPS1	C.P.	—	5 B.A. screw 145591	315062	PS15	Brown	Plain	Screw on 6 B.A. thread
312500	PRS7	Black	'F-H-S-OFF' in white	Push on	315069	PS15	Black	Plain	Screw on 6 B.A. thread
312619	PRS7	Black	Plain	Push on	315104	PS16	Golden pearl	Plain	Push on
312622	PRS7	Brown	'F-H-S-OFF' in cream	Push on	315112	PS16	Black	'P' in white	Push on
312856	PS7-1	Black	Plain	Push on	315118	PS16	Ivory	'PANEL LIGHT' in black	Push on
312857	PS7-1	Brown	'P' in cream	Screw on	315140	PS16	C.P.	Plain	Push on
312866	PS7	Black	'P' in white	Push on	315206	PPG2	Golden pearl	Plain	Push on
312871	PS7	Black	'P' in white	Push on	315213	PPG2	Mottled ivory	'H' and 'S' lights	Push on
312953	PS7	Black	'R' in white	Push on	315215	PPG2	Mottled cream	'L' in old gold	Push on
312955	PS7	Cream	'P' in black	Push on	315224	PPG2	Mottled ivory	'L' in cream	Push on
313097	PRS7	Black	'H-S-O' and 'Lights' in white	Push on	315228	PPG2	Brown	'PANEL INT' in white	Push on
313600	PS7	Satin chrome	Plain	Push on	315242	PPG2	Black	'L' in white	Push on
313603	PS7	Black	Black 'F' on diakon disc	Push on	315244	PPG2	Black	'F' in white	Push on
313604	PS7	Black	'P' in ivory	Screw on	315246	PPG3	Black	'P' in ultra violet paint	Push on
313618	PS7	Black	'F' in white	Push on	315247	PPG2	Black	'L' in ultra violet paint	Push on
313619	PS7	Cream	'F' in black	Push on	315951	PS7	Black	Plain	Screw on
313623	PPG2	Black	'Fog' in white	Push on	316102	PPG1	Black	Plain	Push on
313626	PS16	Black	'Maplight' in white	Push on	316115	PPG1	Brown	'L' in white	Push on
313627	PS16	Black	'Interior Light' in white	Push on	316123	PPG1	Black	Black 'L' on ivory	Push on
313628	CHR1 and 3R	Black	'Panel' and an arrow in white	Push on	316124	PPG1	Brown	Black 'P' on ivory	Push on
313630	PPG1	Black; C.P. bezel	'L' in white	Push on	316128	PPG1	Stone grey	Plain	Push on
313631	PPG1	Black; C.P. bezel	'F' in white	Push on	316129	PPG1	Black	'SIDE-HEAD' in white	Push on
313632	PS7	Black; C.P. bezel	'P' in white	Push on	316132	PPG1	Brown	'P' in cream	Push on
313653	PRS7	Black	'F-H-S-OFF' in white	Push on	316133	PPG1	Black	'L' in white	Push on
313655	PS19	Black	'P' in white	Push on	316134	PPG1	Black	'F' in white	Push on
313667	10SA	C.P.	White 'L' on black cap	Push on	316135	PPG1	Black	'P' in white	Push on
313671	PS7	Black	'I' in white	Push on	316136	PPG1	Black	'L' in white	Push on
313674	PS7	Black; C.P. bezel	'LR' in white	Push on	316137	PPG1	Black	'P' in white	Push on
314026	PS7-1	Black	Plain	Screw on	316140	PPG1	Black	'F' in white	Push on
314403	PS7-1	Black	'Fog' in white	Screw on	316141	PPG1	Black	'L' in white	Push on
314427	PS7	Brown	Sunken 'P'	Screw on	316144	PPG1	Cream	'L' in black	Push on
314437	PS7-1	C.P.	Plain	Screw on	316146	PPG1	Cream; C.P. bezel	'L' in red	Push on
315002	PPG1	Black	Plain	Grub screw	316147	PPG1	Cream; C.P. bezel	'F' in red	Push on
315031	PPG1	Black	Plain	—	316151	PPG1	Black	'L' in white	Push on
315037	PPG1	Black	Plain	—	316153	PPG1	Cream	'F' in brown	Push on

LIGHTING AND DIRECTION INDICATOR SWITCHES



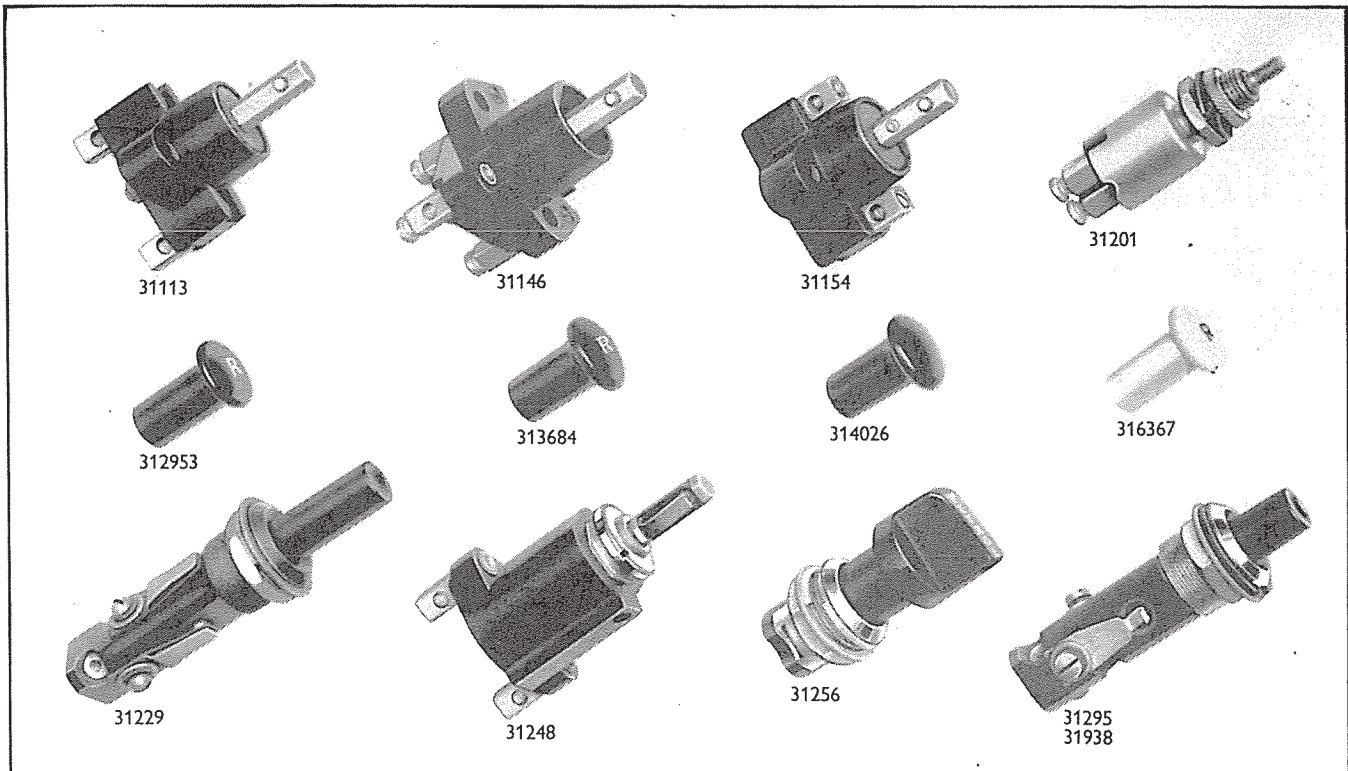
KNOBS, HANDLES AND LEVERS—continued

Part No.	Model	Finish	Marking	Method of Fitting	Part No.	Model	Finish	Marking	Method of Fitting
316154	PPG1	Black	'L' in white ..	Push on	318386	PS7-1	Ivory	'P' in black ..	Screw on
316155	PPG1	Ivory	'L' in black ..	Push on	318475	PRS7	Black	'LIGHTS' in white	Push on
316156	PPG1	Black	'L' in white ..	Push on	327074	S37	Chrome ..	—	—
316163	PPG1	Black	Plain	Push on	345096	PLC6	Black	'HEAD-SIDE-OFF'	Secured by switch
316231	PS7-1	Ivory	Plain	Screw on	768378	CHR1	Brown	An arrow in white..	Grub screw
316276	PRS2	Mottled cream	'H-S-OFF' in black	Push on	768526	CHR1	White	Arrow in black ..	Push on
316285	PRS2	Black	'H-S-OFF' in white	Push on	768540	CHR1	Mottled ivory	'P' and an arrow in	Push on
316286	PRS2	Grey	'H-S-OFF' in white	Push on	768642	CHR1	Black	old gold	Push on
316287	PRS2	Brown	'H-S-OFF' in cream	Push on	768651	CHR1	Brown	'PANEL' and an	Push on
316370	—	Black	'Fog' in white ..	Push on	768662	CHR1	Black	arrow in white ..	Push on
316389	PS19	Brown	'F' in cream ..	Push on	768883	CHR1	Brown	'P' and arrow in	Grub screw
316390	—	Black	'A' in white ..	Push on	768893	CHR1	Black	white	Grub screw
316398	PPG1	Cream	'L' in brown ..	Push on	768913	CHR1	Black	'PANEL' in white..	Push on
316420	PRS3	Black	'O-S-H-LIGHTS'	Push on	768930	CHR1	Cream	'OFF-DIM-PANEL'	Grub screw
316434	PRS3	Black	'ON' in white ..	Spring loaded	768945	CHR1	Black	in white	Push on
316435	PRS3	Black	'H-S-OFF' in white	Push on	768972	CHR1	Cream	'P' and an arrow in	Push on
316449	PRS3	Black	'H-S-OFF' in white	Push on	768975	CHR1	Black	black	Push on
316478	PS16	Grey	Plain	Push on	768975	CHR1	Black	white	Push on
316483	PS16	Cream	'P' in brown ..	Push on	769064	CHR1	Black	'OFF-DIM-PANEL'	Push on
316487	PS16	Black	'MAP' in white ..	Push on	54330740	PPG1	Black	in white	Push on
316493	PS16	Black	'P' in white ..	Push on	54330749	PPG1	Pebble grey ..	'L' in white ..	Push on
316494	PS16	Black	'P' in white ..	Push on	54330752	CHR1	Black	'L' in black ..	Push on
316512	PS16	Golden pearl	Plain	Push on	54330752	CHR1	Black	'PANEL-ON-OFF-	Push on
316518	CHR1	Black	An arrow in white..	Push on	54330753	PPG1	Stone grey ..	'DIM' in white ..	Push on
316520	Various	Black	Plain	Push on	54330756	PPG1	Clay pipe grey	Plain	Push on
316622	PRS5	C.P.	Plain	Push on	54330759	PRS7	Black	'L' in black ..	Push on
316637	PRS5	Brown	'F-H-S-OFF' in	Push on	54330880	PPG1	Grey	'LIGHTS' and	Push on
316686	PS20	Black	'LAMP'S' in white..	Push on	54331118	PS7	Grey	'PANEL' in white..	Push on
317508	PS7-1	Ivory	'P' in black ..	Screw on	54331172	PS7	Black	'P' in white ..	Push on
317524	PS16	Mottled cream	'P' in red	Push on	54331190	PPG1	Coffee	'LIGHTS' in white	Push on
317532	PS7-1	Black	'PANEL' in white..	Push on	54331875	TPS1	Black	—	5 B.A. screw 107461
317603	PRS5	C.P.	Plain	Push on	54332270	PRS7	C.P.	Plain	Push on
317662	PPG2	Cream; C.P. bezel..	Plain	Push on	54332327	3R	Black	'PANEL' and a	Push on
317663	PPG2	Mottled cream; C.P. bezel..	'L' in red	Push on	54332509	PS7	Black	double-headed	Push on
318173	PPG2	Black	'F' in red	Push on	54332710	10SA	Black	arrow in white ..	Push on
318174	PRS7	Black	'L' in white ..	Push on				'P' in white ..	Push on
318305	PRS7	Black	'H-S-O' and	Push on				'L' in white ..	Push on
318352	PS7	Black	'LIGHTS' in white	Push on				—	—
318368	PS7-1	Black	'LAMP'S' and arrow	Push on					
			in white ..	Push on					
			'LR' in white ..	Screw on					
			Black 'P' on	Push on					
			diakon disc ..	Push on					

C.P. .. Chromium plated



FUEL AND OIL SWITCHES



Descriptive Reference

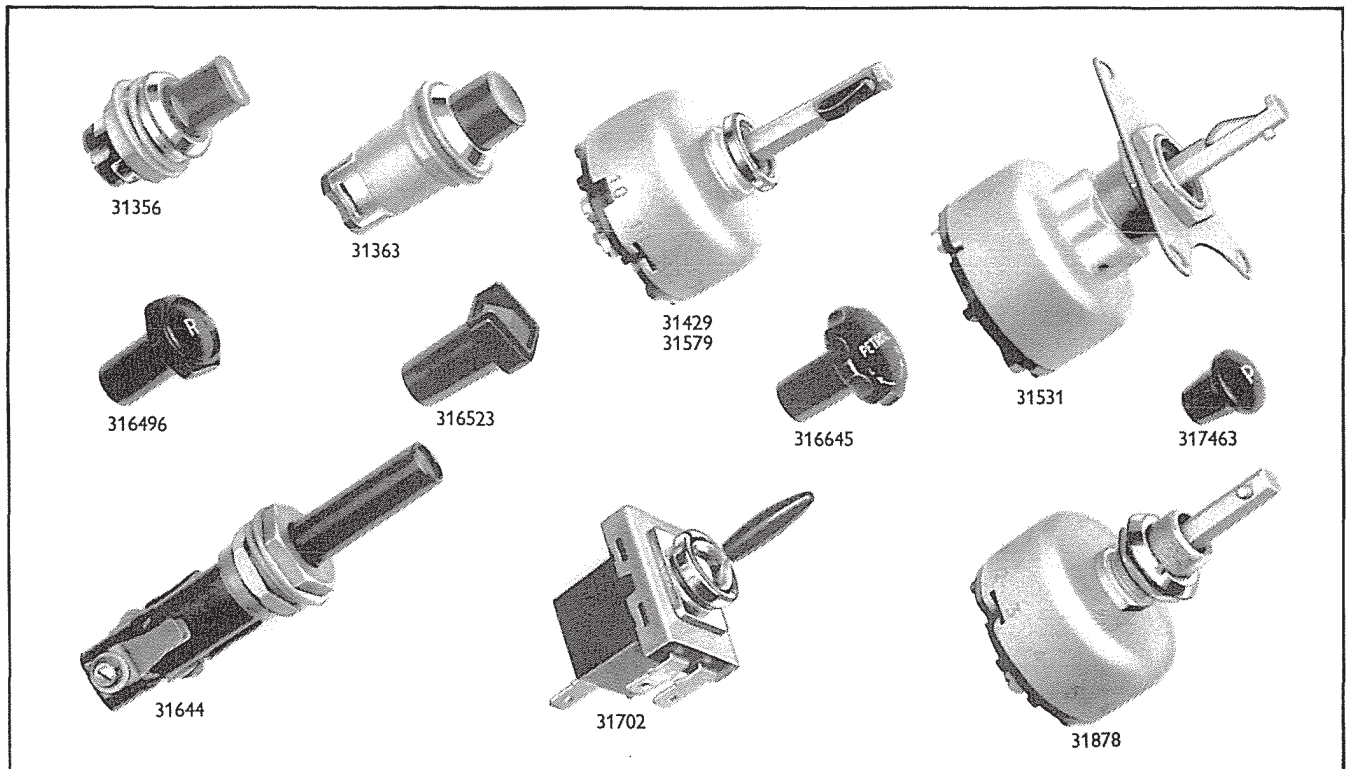
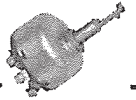
Part No.	Model	Action	Finish	Fixing	Special Features
31113	PS16	Pull on-push off	—	Single hole	Less knob; moulded body.
31146	PS17	Pull on-push off	—	Two hole	Less knob; moulded body.
31154	PS16	Pull on-push off	—	Single hole	As 31113, but terminals reversed.
31201	PS7-1	Pull on-push off	C.P. fixing nut	Single hole	Short thread for metal panel.
31229	PS5	Push	Black fixing nut	Single hole	Black knob.
31248	PS19	Pull on-push off	C.P. fixing nut	Single hole	Less knob; moulded body.
31256	PS6	Rotary on-off	C.P. fixing nut	Single hole	Black knob.
31295	PS5	Push	C.P. fixing nut	Single hole	Black knob.
31356	PS6	Rotary on-off	C.P. fixing nut	Single hole	Black knob with white arrow.
31363	SS5	Push	C.P. fixing nut	Single hole	Plain black knob; for wooden panel fitting.
31429	PRS7	Rotary on-off	C.P. fixing nut	Single hole	Less knob.
31531	S60	Rotary on-off	Special	Three hole flange	For Rolls-Royce.
31579	PRS7	Rotary three way	Special	Single hole	Less knob; for Rolls-Royce.
31644	PS5	Push	Special	Single hole	For Rolls-Royce.
31702	57SA	Toggle	C.P. fixing nut	Single hole	1" long black knob.
31878	PRS7	Rotary on-off	C.P. fixing nut	Single hole	Less knob; as 31429, but longer fixing bush.
31938	PS5	Push	Special	Single hole	For Rolls-Royce.

KNOBS

Part No.	Model	Finish	Marking	Method of Fixing	Part No.	Model	Finish	Marking	Method of Fixing
312953	PS7	Black	'R' in white	Fixing screw	316496	PS16	Black	'R' in white	Push on
313684	PS7	Black	'R' in white	Push on	316523	PS16	Black	'R' in ultra violet paint ..	Push on
314026	PS7-1	Black	Plain	Screw on	316645	PRS5	Black	'PETROL-L-R' in white ..	Push on
316215	PS7-1	Cream	'R' in brown	Screw on	317463	PS5	Brown	'P' in cream	Screw on 6 B.A. thread
316367	PS19	Cream	'R' in black	Push on					

C.P. .. Chromium plated

FUEL AND OIL SWITCHES



DETAILED SPARE PARTS

Part No.	Model	Nut, fixing	Nut, fixing, rear	Washer, flat	Washer, spring	§Screw, terminal	§Washer, terminal screw
31113	PS16	—	—	—	—	120560	—
31146	PS17	—	—	—	—	120560	—
31154	PS16	—	—	—	—	120560	—
31201	PS7-1	314017	180093	—	185081	120560	—
31229	PS5	180670	—	158350	185188	117980	185000
31248	PS19	315081	—	—	—	120560	—
31256	PS6	180670	—	158350	185188	121610	—
31295	PS5	180670	—	158350	185188	117980	185000
31356	PS6	180670	—	158350	185188	121610	—
31363	SS5	180670	—	158350	185188	120584	—
31429	PRS7	182668	—	—	—	132464	185000
31531	S60	156570	—	—	—	132464	188412
31579	PRS7	182660	—	—	—	132464	185000
31644	PS5	180670	—	158350	185188	117980	185000
31702	57SA	153601	—	—	185106	—	—
31878	PRS7	318192	182998	—	185106	135464	185000
31938	PS5	180670	—	158350	185188	117980	185000



STANDARDISATION OF PLC SWITCHES

The Lucas PLC Switchbox has been supplied as initial equipment for a number of years, and during that time its design has remained basically the same. In view of this, and to prevent carrying unnecessary stocks of individual switches, we have been continually working towards a standard switch for service replacements. We realise that the customer expects a switch which is similar in appearance to the original unit, and this point has been carefully borne in mind whilst standardising. Two types of switch are involved; they are:

- Switches with non-detachable knob and dial**
Standard switches of this type are listed below, together with the initial equipment they replace. Descriptions and photographs have been added (in Part I) to aid in identification.
- Switches with detachable knob and dial**
In this case, one standard switch unit will replace the complete range and, if the customer requires a new knob or dial, suitable replacements are available.
This standard switch is described and illustrated (in Part II) and a list of replacement knobs has been included.

PART I

List of standard switches for replacement

These switches cannot be stripped down for service purposes and replacement switches are supplied complete with dial, knob and keys where applicable.

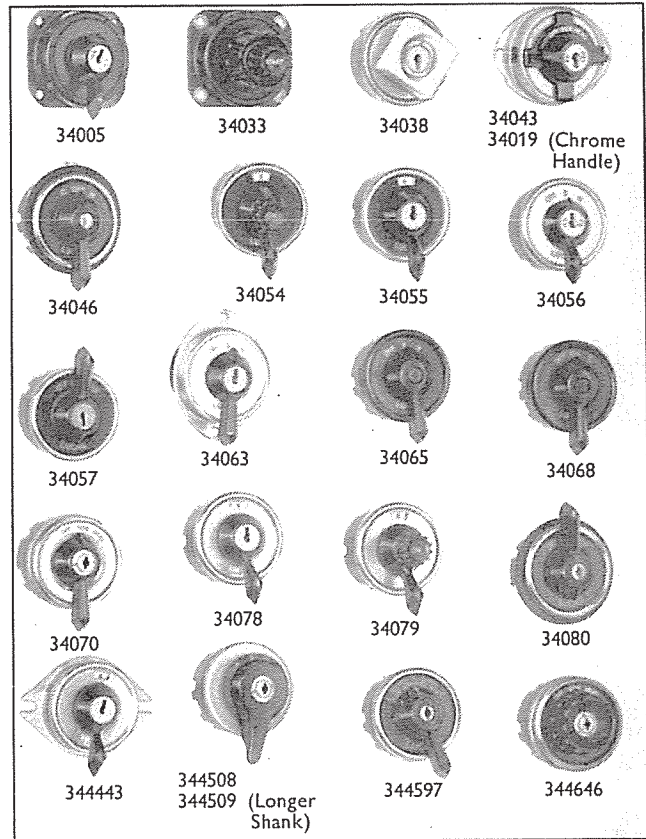
Part No. of Original Fitting	Replaced by Part No.	Part No. of Original Fitting	Replace by Part No.
34002	34055	34056	—
34004	34056	34057	—
34005	—	34058	34065
34006	34056	34059	34056
34009	34056	34062	34056
34010	34043	34063	—
34011	34043	34065	—
34014	34055	34068	—
34015	031366	34070	—
34016	34056	34072	34056
34017	34057	34075	34055
34018	34055	34078	—
34019	—	34079	—
34020	34054	34080	—
34021	34055	031366	—
34022	34054	344443	—
34024	34055	344472	34055
34026	34055	344484	34055
34027	34078	344508	—
34028	34056	344509	—
34031	34065	344528	34055
34032	34056	344540	34055
34033	—	344544	34065
34035	34055	344597	—
34036	031366	344646	—
34037	031366	344669	34080
34038	—	344694	34078
34041	34055	344887	34055
34042	34055	344889	34055
34043	—	344890	031366
34046	—	344910	34054
34049	34054	344920	34054
34054	—	344927	34078
34055	—	344928	34079

Note—Where no replacement is shown, stocks are carried of the original fitting.

The following is a general description of these **standard** switches:

Model PLC6 Part No. 34005. 3-position switch (OFF, SIDE, HEAD) with brown dial and upswept knob; no lettering on dial (switch positions marked on panel); four hole flange fitting; complete with lock and keys.

Model PLC2 Part No. 34019. 4-position switch (LOW, HIGH, SIDE, HEAD) with special C.P. dial and handle; two hole flange fitting; complete with lock and keys (similar in appearance to 34043).



Model PLC6 Part No. 34033. 3-position switch (OFF, SIDE, HEAD) with large black knob, inset with ignition knob marked with white lettering 'START'; no lettering on dial (switch positions marked on panel); four hole flange fixing.

Model PLC6 Part No. 34038. 3-position switch (OFF, SIDE, HEAD) with large square knob; no lettering on dial (switch positions marked on panel); complete with lock and keys.

Model PLC6 Part No. 34043. 3-position switch (OFF, SIDE, HEAD) with special black dial and handle marked with white lettering; two hole flange fixing; complete with lock and keys.

Model PLC5 Part No. 34046. 3-position switch (COIL, OFF, MAGNETO) with black dial and handle and C.P. bezel; white lettering on dial; no lock or keys (similar in appearance to 34065).

Model PLC6 Part No. 34054. 3-position switch (OFF, SIDE, HEAD) with black dial and upswept handle and C.P. bezel; black lettering on white slide and ignition knob marked 'ON'.
Replaces: 34020, 34022, 34049.

Model PLC6 Part No. 34055. 3-position switch (OFF, SIDE, HEAD) with black dial and upswept handle and C.P. bezel; black lettering on white slide; complete with lock and keys.
Replaces: 34002, 34014, 34018, 34026, 34035, 34075.

Model PLC6 Part No. 34056. 3-position switch (OFF, SIDE, HEAD) with cream dial and upswept handle and C.P. bezel; brown lettering; complete with lock and keys.
Replaces: 34006, 34009, 34059, 34062.

STANDARDISATION OF PLC SWITCHES



Model PLC6 Part No. 34057. 3-position switch (OFF, LOW, HIGH) with black dial and handle and C.P. bezel; white lettering; complete with lock and keys (similar in appearance to 34080).
Replaces: 34017.

Model PLC6 Part No. 34063. 3-position switch (OFF, SIDE, HEAD) with cream dial and C.P. bezel; brown lettering and handle; two hole flange fixing; complete with lock and keys.

Model PLC5 Part No. 34065. 3-position switch (OFF, SIDE, HEAD) with black dial and handle; white lettering on dial; no lock or keys.
Replaces: 34031, 34058.

Model PLC5 Part No. 34068. 3-position switch (OFF, CHARGE, LIGHTS) with black dial and handle; white lettering on dial; no lock or keys (similar in appearance to 34065).

Model PLC5 Part No. 34070. 4-position switch (LOW, HIGH, SIDE, HEAD) with black handle, cream dial and C.P. bezel; complete with lock and keys (similar in appearance to 34080).

Model PLC2 Part No. 34078. 4-position switch (1, 2, SIDE, HEAD) with C.P. dial and bezel; black upswept handle; black lettering on white slide; complete with lock and keys (similar in appearance to 34055).
Replaces 344694, 344927.

Model PLC2 Part No. 34079. 4-position switch (1, 2, SIDE, HEAD) with C.P. dial and bezel; black upswept handle and ignition knob; black lettering on white slide (similar in appearance to 34054).
Replaces 344928.

Model PLC5 Part No. 34080. 3-position switch (OFF, LOW, HIGH) with black dial and handle; white lettering on the dial; spade type lock; supplied complete with keys.

Model PLC6 Part No. 031366. Comprises 3-position switch 34055 and flanged fixing plate 344931.

Model PLC2 Part No. 344443. 4-position switch (1, 2, SIDE, HEAD) with C.P. dial and bezel; black upswept handle; black lettering on white slide; complete with lock and keys.

Model PLC5 Part No. 344508. 4-position switch (HEAD, SIDE, FULL CHARGE, HALF CHARGE); special black handle with white lettering; complete with lock and keys.

Model PLC5 Part No. 344509. 3-position switch (HEAD, SIDE, OFF); special black handle with white lettering; complete with lock and keys.

Model PLC5 Part No. 344597. 4-position switch (LOW, HIGH, SIDE, HEAD) with black dial, handle and C.P. bezel; white lettering on dial; complete with lock and keys (similar in appearance to 34080). *Special for Magneto.*

Model PLC5 Part No. 344646. 3-position switch (OFF, SIDE, HEAD) with black dial, large knob and C.P. bezel; white lettering on dial; complete with lock and keys.

PART II

The **Standard Switch** for replacing those with detachable knob and dial is **Model PLC6 Part No. 34090**.

It is a 3-position switch (OFF, SIDE, HEAD) supplied complete with lock and keys, and will replace the following:

34023	34050	34066	34081
34025	34051	34067	34084
34034	34052	34071	344874
34047	34061	34073	344924

The switch is more likely to require replacement than the knob or dial, and is supplied separately. But if the customer requires a new knob or dial, those available for use with the standard switch are listed below:

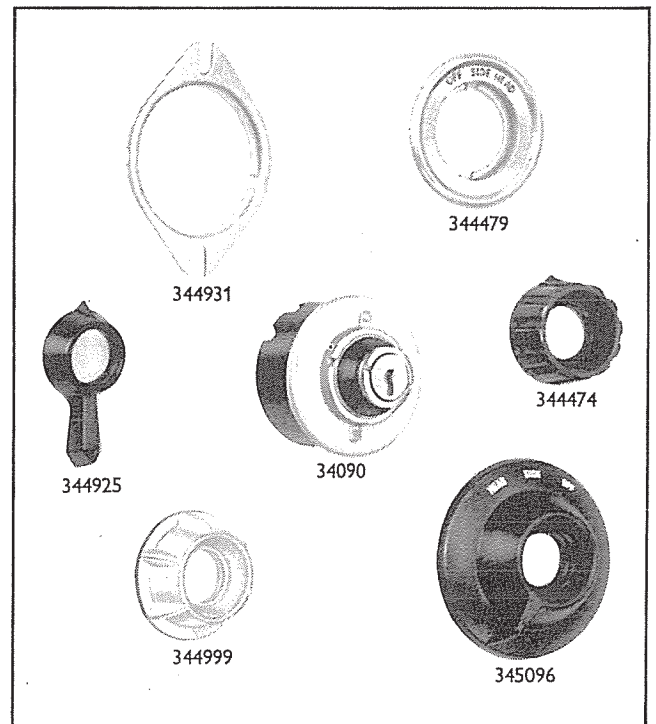
Knobs

- 344474—Black bakelite, with pointer.
(replaces knob fitted to switches 34025, 34071, 34084).
- 344925—Black bakelite, with handle and pointer.
(replaces knob fitted to switch 34081).
- 344999—Cream finished diecasting, with cut-away.
(replaces knob fitted to switches 34023, 34034, 34050).
- 345096—Black bakelite (with 'HEAD', 'SIDE', 'OFF' marked in white).
(replaces knob fitted to switches 34052, 34061, 34067, 34073).

Dial

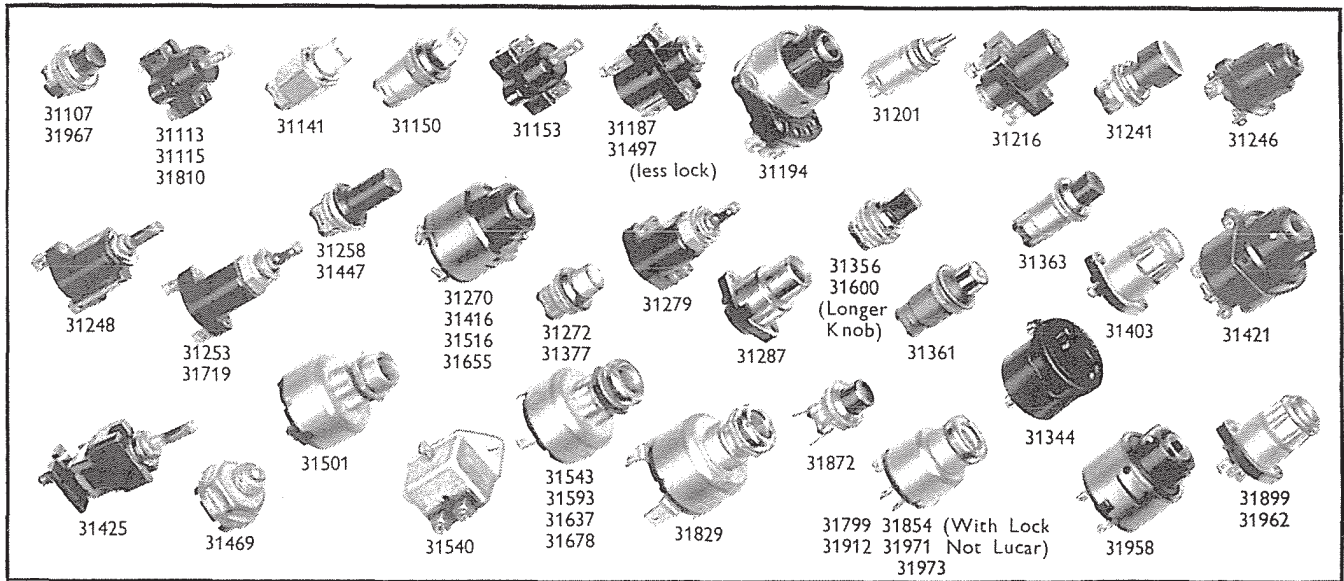
- 344479—C.P., with 'OFF', 'SIDE', 'HEAD' marked in black.

Note.—Flange No. 344931 can be used to fit all flange fixing type switches in this range.





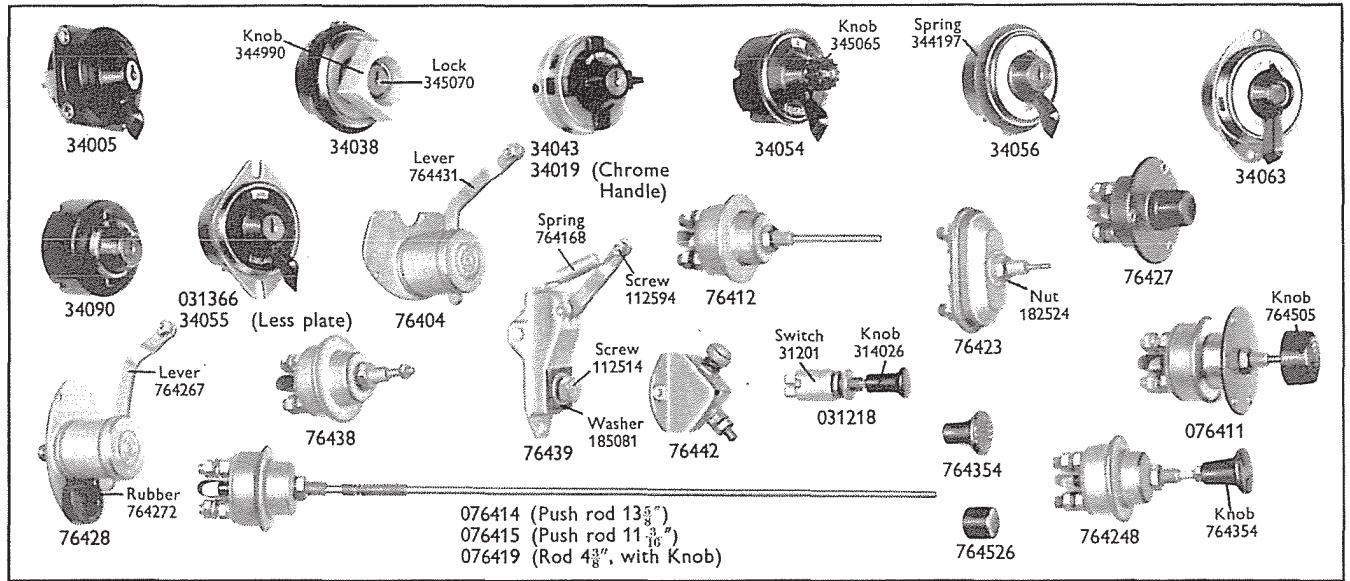
IGNITION AND STARTING SWITCHES



Descriptive Reference

Part No.	Model	Usage	Action	Fixing	Special Features
31107	SS5	Solenoid operating	Push	Single hole ..	Plain walnut knob; short thread.
31113	PS16	Solenoid operating	Pull on-push off ..	Single hole ..	Less knob; moulded body.
31115	SS8	Solenoid operating	Push	Single hole ..	Less knob; moulded body.
31141	SS5	Solenoid operating	Push	Single hole ..	Ivory knob, marked 'S' in black; hexagonal metal body.
31150	SS5	Solenoid operating	Push	Single hole ..	Rectangular cream knob, marked 'S' in maroon; long thread.
31153	SS8	Solenoid operating	Push	Single hole ..	As 31115, but terminals reversed.
31187	S55	Ignition	Rotary on-off ..	Two hole ..	Moulded body; lock and keys.
31194	PRS2	Ignition and lighting ..	Rotary three way ..	Two hole ..	Less lock; metal clad; brown bakelite.
31201	PS7-1	Ignition or choke warning light	Pull on-push off ..	Single hole ..	Less knob.
31216	S55	Ignition	Rotary on-off ..	Two hole ..	As 31187, but terminals reversed.
31241	SS5	Solenoid operating	Push	Single hole ..	Black cheesehead knob, marked 'START' in white.
31246	S56	Ignition	Rotary on-off ..	Two hole flange	For double panel plate fixing; black.
31248	PS19	Choke warning light	Pull on-push off ..	Single hole ..	Less knob; moulded body.
31253	SS9	Solenoid operating	Push	Single hole ..	Moulded body.
31258	SS5	Solenoid operating	Push	Single hole ..	Plain black knob; short thread.
31270	PRS3	Ignition and lighting ..	Rotary three way ..	Circlip ..	Less lock and keys; black dial.
31272	SS5	Solenoid operating	Push	Single hole ..	Ivory knob.
31279	SS9	Solenoid operating	Push	Single hole ..	Moulded body; as 31253, but terminals reversed.
31287	S45	Ignition	Rotary on-off ..	Two hole flange	Less lock and keys.
31344	S50	Ignition	Rotary on-off ..	Spring circlip	---
31356	PS6	Ignition	Rotary on-off ..	Single hole ..	Black knob, with white arrow.
31361	SS5	Solenoid operating	Push	Single hole ..	C.P. knob; long thread.
31363	SS5	Solenoid operating	Push	Single hole ..	Plain black knob; long thread.
31377	SS5	Solenoid operating	Push	Single hole ..	Ivory knob, marked 'S' in black.
31403	S45	Ignition	Rotary on-off ..	Single hole ..	As 31287 except for fixing method.
31416	PRS3	Ignition and lighting ..	Rotary three way ..	Circlip ..	No lock; C.P. cover.
31421	PRS3	Ignition and lighting ..	Rotary three way ..	Circlip ..	Less lock; black bezel.
31425	PHS1	Heater plug	Push	Single hole ..	Less knob.
31447	SS5	Solenoid operating	Push	Single hole ..	As 31258, but grey knob.
31469	SS10	Choke	Push	Screw in ..	---
31497	S55	Ignition	Rotary on-off ..	Two hole ..	Less lock.
31501	S60	Ignition and starting ..	Rotary four way ..	Single hole ..	Less lock.
31516	PRS3	Ignition and lighting ..	Rotary three way ..	Circlip ..	Less lock; three positions, 'OFF-SIDE-HEAD'.
31540	54C	Choke	Pull	Two hole ..	---
31543	S60	Ignition and starting ..	Rotary three way ..	Single hole ..	Less lock.
31593	S60	Ignition and starting ..	Rotary three way ..	Single hole ..	Less lock.
31600	PS6	Ignition	Rotary on-off ..	Single hole ..	Short body; plain black knob.
31637	S60	Ignition and starting ..	Rotary four way ..	Single hole ..	Less lock.
31655	PRS3	Ignition and lighting ..	Rotary three way ..	Circlip ..	Three positions, 'OFF-SIDE-HEAD'.
31678	S60	Ignition and starting ..	Rotary four way ..	Single hole ..	Less lock.
31719	SS9	Solenoid operating	Push	Single hole ..	As 31253, but with silver contacts.
31781	S60	Ignition and starting ..	Rotary three way ..	Single hole ..	Less lock; Lucar connectors; similar to 31543.
31799	47SA	Ignition and starting ..	Rotary three way ..	Single hole ..	Lucar connectors.
31810	SS8	Solenoid operating	Push	Single hole ..	As 31115, but 24 volt.
31829	70SA	Diesel heater	Rotary five way ..	Single hole ..	Less lock; Lucar connectors.
31854	70SA	Starter and heater	Rotary four way ..	Single hole ..	With lock.

IGNITION AND STARTING SWITCHES

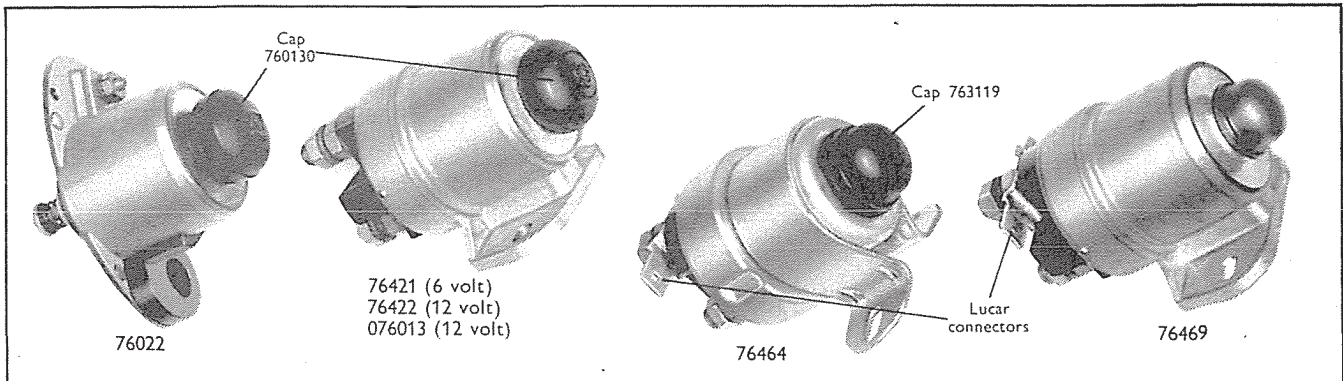


Descriptive Reference—continued

Part No.	Model	Usage	Action	Fixing	Special Features
31872	SS5	Solenoid operating	Push	Single hole ..	Lucar connectors.
31899	S45	Ignition	Rotary on-off ..	Single hole ..	As 31403, but with Lucar terminals.
31912	47SA	Ignition and starting	Rotary four way	Single hole ..	Lucar connectors.
31931	TOS1	Choke warning light	Push	Single hole ..	Hexagonal body.
31958	PRS3	Ignition and lighting	Rotary three way	Circlip ..	Less lock; Lucar connectors.
31962	S45	Ignition	Rotary on-off ..	Two hole ..	Less lock; C.P. bezel; Lucar connectors.
31967	SS5	Solenoid operating	Push	Single hole ..	Black knob.
31971	47SA	Ignition and starting	Rotary four way	Single hole ..	Lucar connectors.
31973	47SA	Ignition and starting	Rotary three way	Single hole ..	Lucar connectors.
34005	PLC6	Ignition and lighting	Rotary three way	Four hole ..	No lettering; brown dial.
34019	PLC2	Ignition and lighting	Rotary three way	Two hole ..	Marked 'OFF-SIDE-HEAD'; C.P. dial and handle.
34038	PLC6	Ignition and lighting	Rotary three way	Single hole ..	No marking; square, ivory knob.
34043	PLC6	Ignition and lighting	Rotary three way	Two hole ..	Marked 'OFF-SIDE-HEAD'; black finish.
34054	PLC6	Ignition and lighting	Rotary three way	Circlip ..	Marked 'OFF-SIDE-HEAD'; black knob, marked 'ON'.
34055	PLC6	Ignition and lighting	Rotary three way	Circlip ..	Marked 'OFF-SIDE-HEAD'; black handle.
34056	PLC6	Ignition and lighting	Rotary three way	Circlip ..	Marked 'OFF-SIDE-HEAD' in brown; cream dial; brown handle.
34063	PLC6	Ignition and lighting	Rotary three way	Two hole ..	Marked 'OFF-SIDE-HEAD' in brown; cream dial; brown handle.
34090	PLC6	Ignition and lighting	Rotary three way	Circlip ..	Less handle; complete with lock.
34258	47SA	Ignition and starting	Rotary four way	Single hole ..	Lucar connectors; similar to 31912 but spring collar.
34264	47SA	Ignition and starting	Rotary three way	Single hole ..	Lucar connectors; similar to 31973 but for marking on base spacer.
34299	70SA	Diesel heater	Rotary five way	Single hole ..	Lucar connectors; similar to 31829 but with separate feed for auxiliaries.
76404	ST10	Starting motor	Pull	Four hole ..	Wire control operated.
76412	ST18	Starting motor	Push	Single hole ..	Less knob.
76423	ST19-2	Starting motor	Pull	Single hole ..	—
76427	ST18	Starting motor	Push	Three hole ..	Diecast knob; for foot operation.
76428	ST10	Starting motor	Pull	Four hole ..	Wire control operated; as 76404 except for crank of lever.
76438	ST18-1	Starting motor	Push	Single hole ..	—
76439	ST9	Starting motor	Pull	Three hole ..	Mounted to yoke of starting motor.
76442	4SA	Starting motor	Push	Two hole ..	Mounted on starter yoke.
031218	PS7-1	Ignition or choke warning light	Pull on—push off	Single hole ..	Comprises switch 31201 and knob 314026.
031366	PLC6	Ignition and lighting	Rotary three way	Adaptor plate	Comprises switch 34055 and adaptor plate 344931.
076411	ST18	Starting motor	Push	Single hole ..	Black metal knob; foot operated.
076414	ST18	Starting motor	Push	Single hole ..	As 76438, but complete with push rod and spring, 13 $\frac{1}{8}$ " long.
076415	ST18	Starting motor	Push	Single hole ..	As 76438, but complete with push rod and spring, 11 $\frac{3}{8}$ " long.
076419	ST18	Starting motor	Push	Single hole ..	As 76438, but complete with push rod and spring, 4 $\frac{3}{8}$ " long.
764248S	ST18	Starting motor	Push	Single hole ..	Brown knob, marked 'S' and 'PUSH' in white.



IGNITION AND STARTING SWITCHES



STARTING MOTOR SOLENOIDS

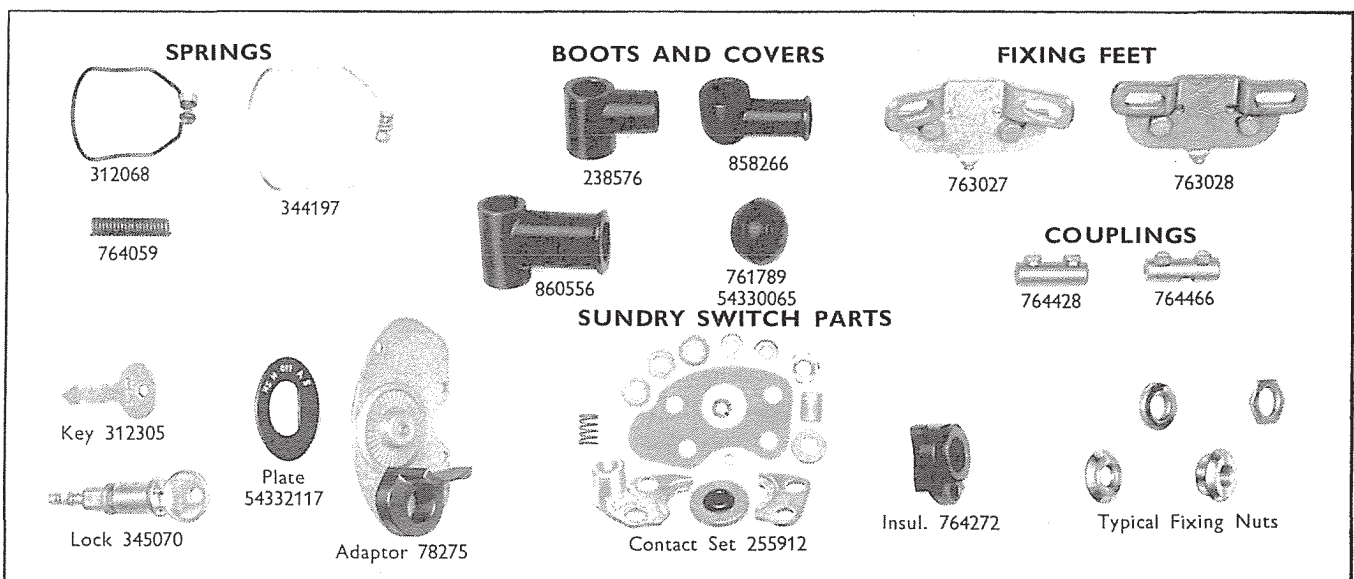
Descriptive Reference

Part No.	Model	Fixing	Details	Part No.	Model	Fixing	Details
76022	ST900-1	Four hole	Mounted on commutator end bracket of 'G' type starter; 12 volt; earth return.	76464	2ST	Two hole	12 volt; earth return; Lucar connectors.
76421	ST950	Two hole	6 volt; earth return.	76469	2ST	Two hole	12 volt; earth return.
76422	ST950	Two hole	12 volt; insulated return.	076013	ST950	Two hole	12 volt; earth return; for Rolls-Royce.

DETAILED SPARE PARTS

Part No.	Model	76022	76421	76422	76464	76469	076013
Model	Model	ST900-1	ST950	ST950	2ST	2ST	ST950
§Insulator	..	764272	—	—	—	—	—
Nut, control screw	..	—	170574	170574	170574	170574	170574
Washer, control screw	..	—	185062	185062	185062	185062	185062
§End cap, rubber	..	760130	760130	760130	763119	—	760130
§Nut, terminal	..	166043	166043	166043	166019	166019	166043
§Washer, terminal	..	131000	185040	185040	185040	185040	185040
Connector, Lucar, starter push	..	—	—	—	54190015	54190015	—
Connector, Lucar, fuse box	..	—	—	—	54190013	54190013	—
Connector, Lucar, control box	..	—	—	—	54190014	54190014	—

These fixing feet are available if required: Foot, flat fixing 763028; foot, yoke fixing 763027.



§ Recommended spares for stock

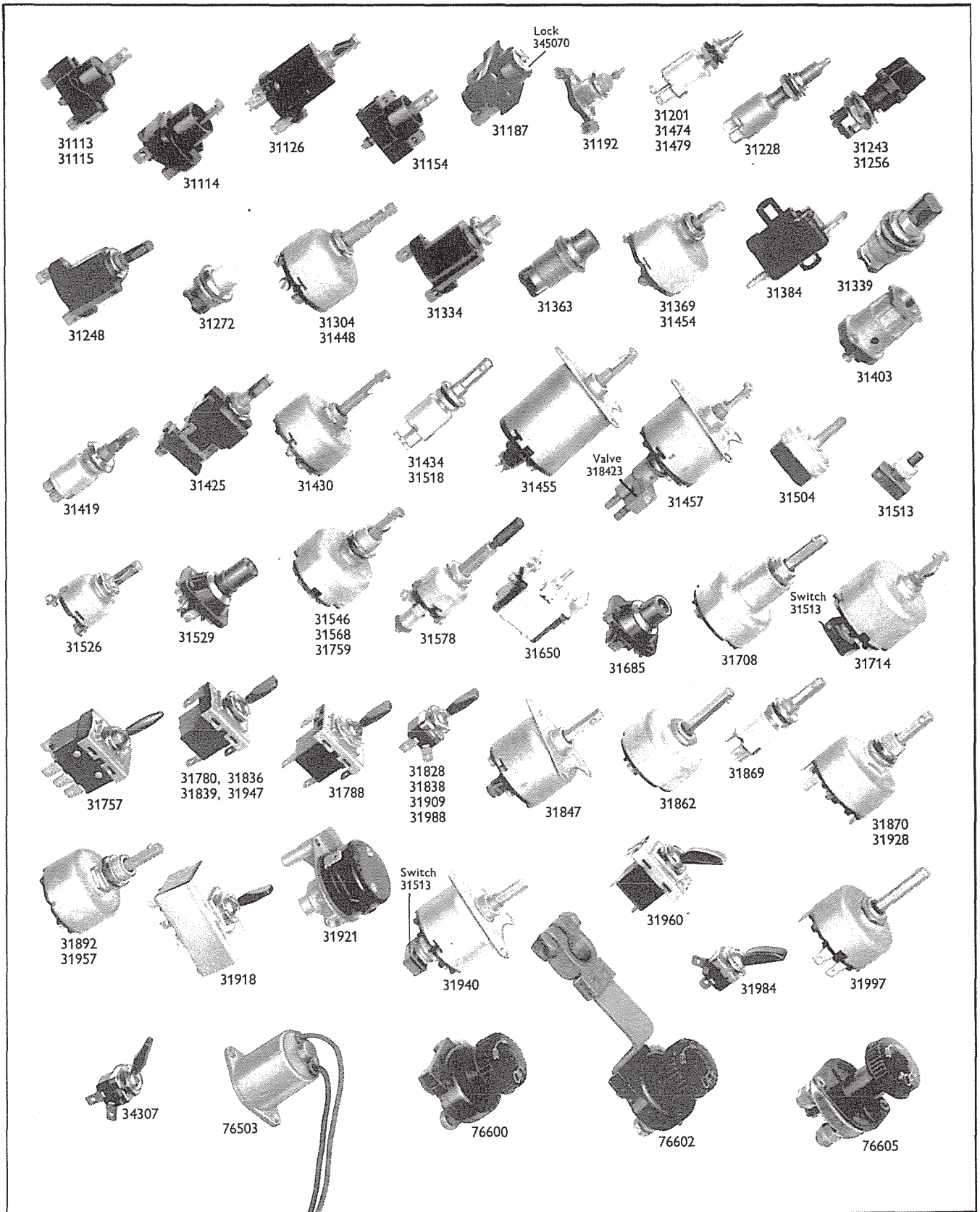
IGNITION AND STARTING SWITCHES

DETAILED SPARE PARTS

Part No.	31107	31113	31115	31141	31150	31153	31187	31194	31201	31216	31241	31246	31248
Model	SS5	PS16	SS8	SS5	SS5	SS8	SS5	PRS2	PS7-1	SS5	SS5	SS6	PS19
Nut, fixing	180670	—	—	—	180670	—	—	—	314017	—	180670	180670	315081
Washer or rear nut, fixing	158350	—	—	—	158350	—	—	—	180093	—	158350	180670	—
Washer, spring or shakeproof	185188	—	—	—	185188	—	—	—	185081	—	185188	185002	—
Screw, terminal	120584	—	120560	120584	120584	120560	120560	120560	120560	120560	120584	135444	120560
Lock or key	—	—	—	—	—	—	345070	—	—	345070	—	312305	—
Part No.	31253	31258	31270	31272	31279	31287	31344	31356	31361	31363	31377	31403	31416
Model	SS9	SS5	PRS3	SS5	SS9	S45	S50	PS6	SS5	SS5	SS5	S45	PRS3
Nut or spring, fixing	183891	180670	312068	180670	183891	—	312068	180670	180670	180670	180670	54130041	312068
Washer, fixing	—	158350	—	158350	—	—	—	158350	158350	158350	158350	164018	—
Washer, spring or shakeproof	—	185188	185000	185188	—	—	—	185188	185188	185188	185188	185000	185000
Screw, terminal	120560	120584	132464	120584	120560	120560	120560	121610	120584	120584	120584	120560	132464
Part No.	31421	31425	31447	31469	31497	31501	31516	31540	31543	31593	31600	31637	31655
Model	PRS3	PHS1	SS5	SS10	SS5	S60	PRS3	S4C	S60	S60	PS6	S60	PRS3
Nut or spring, fixing	312068	183891	180670	—	—	156570	312068	—	156570	157051	180670	153591	312068
Washer or rear nut, fixing	—	188412	158350	—	—	—	—	—	—	156570	158350	156570	—
Washer, spring or shakeproof	185000	188412	185188	—	—	188412	185000	—	188412	188412	185188	188412	185000
Screw, terminal	132464	132464	120584	120560	110714	132464	132464	120560	132464	132464	121610	132464	132464
Part No.	31678	31719	31781	31799	31810	31829	31854	31872	31899	31912	31958	31962	31967
Model	S60	SS9	S60	47SA	SS8	70SA	70SA	SS5	S45	47SA	PRS3	S45	SS5
Nut or spring, fixing	157051	183891	153591	133591	—	153591	156570	180670	54130041	153591	180670	54130301	180670
Washer or rear nut, fixing	156570	—	156570	154606	—	156570	+54330767	158350	164018	—	158350	164018	158350
Washer, spring or shakeproof	188412	—	185188	—	—	185188	188330	185188	—	—	—	—	185188
Screw or nut, terminal	132464	120560	—	—	120560	—	166043	—	—	—	—	—	120584
Part No.	31971	31973	34005	34019	34038	34043	34054	34055	34056	34090	34258	34264	34299
Model	47SA	47SA	PLC6	PLC2	PLC6	PLC6	PLC6	PLC6	PLC6	PLC6	47SA	47SA	70SA
Nut, fixing	156570	153591	—	—	—	—	—	—	—	—	—	—	—
Rear nut, fixing	—	156570	—	—	—	—	—	—	—	—	—	—	—
Washer, spring or shakeproof	—	154606	—	—	—	—	—	—	—	—	—	—	—
Screw, terminal	—	—	120560	120560	120560	120560	120560	120560	120560	120560	—	153591	54130471
Washer, fixing	—	—	—	—	—	—	—	—	—	—	—	—	—
Spring, fixing	—	—	—	—	—	—	—	—	—	—	—	154606	185188
Knob or lever	—	—	—	—	344197	—	344197	344197	—	—	—	—	—
Lock and driving cup	—	—	345070	345070	345070	345070	345070	345070	345070	345070	—	—	—
Part No.	76404	76412	76423	76427	76428	76438	76442	031218	764248/S	076411	076414	076415	076419
Model	ST10	ST18	ST19-2	ST18	ST10	ST18-1	4SA	PS7-1	ST18	ST18	ST18	ST18	ST18
Nut or spring, fixing	—	182524	—	—	—	182524	—	—	182524	182524	182524	182524	182524
Rear nut, fixing	—	—	—	—	—	—	—	—	—	—	—	—	—
Washer, spring or shakeproof	—	185062	185061	185062	—	185062	185033	—	185062	185062	185062	185062	185062
Washer, plain	—	140300	—	140300	—	—	—	—	140300	—	—	—	—
Screw or nut, terminal	—	170574	170574	170574	—	170574	172580	120560	120560	170574	170574	170574	170574
Washer, fixing	—	188472	188472	—	—	188472	—	—	188472	188472	188472	188472	188472
Knob or lever	—	—	—	—	764267	—	—	—	—	—	—	—	—
Nut or screw, knob or lever fixing	764431	—	—	—	—	—	—	—	—	—	—	—	—
Insulator, rubber	112594	—	—	—	764272	—	—	—	—	—	—	—	—
Contact set	764272	—	—	—	—	—	—	—	—	—	—	—	—
Spring, push rod	255912	—	—	—	255912	—	—	—	—	—	—	—	—
Lock and driving cup	—	—	—	—	—	—	—	—	—	—	—	—	—

† Key ‡ Adaptor plate § Recommended spares for stock ¶ Switch

GENERAL PURPOSE SWITCHES



For detailed spare parts, see pages Q34-Q35



GENERAL PURPOSE SWITCHES

Descriptive Reference

Part No.	Model	Usage	Action	Fixing	Special Features
31113	PS16	Heater and wiper ..	Pull on-push off	Single hole	Less knob; as 31154, but terminals reversed; moulded body.
31114	PPG2	Fan	Two stage pull on-push off	Two hole	Less knob; moulded body.
31115	SS8	Screenjet	Push	Single hole	Moulded body.
31126	PPG1	Heater or fan (blower)	Two stage pull on-push off	Single hole	Less knob; moulded body.
31154	PS16	Heater, fan and wiper	Pull on-push off	Single hole	Less knob; as 31113, but terminals reversed; moulded body.
31187	S55	Master	Rotary on-off	Two hole	Moulded body; lock and keys.
31192	PS15	Windshield wiper ..	Pull on-push off	Single hole	—
31201	PS7-1	Heater, fan and wiper	Pull on-push off	Single hole	Short thread for metal panel; as 31228 except for length of thread.
31228	PS7-1	Windshield wiper ..	Pull on-push off	Single hole	Long thread for wooden panel; as 31201 except for length of thread.
31243	PS6	Windshield wiper ..	Rotary on-off	Single hole	Black knob, marked 'WIPER' in white.
31248	PS19	Heater, fan and wiper	Pull on-push off	Single hole	Less knob; moulded body.
31256	PS6	Windshield wiper ..	Rotary on-off	Single hole	Black knob.
31272	SS5	Earthing	Push	Single hole	Ivory knob.
31302	PRS5	Windshield wiper ..	Rotary three way	Single hole	Less knob; similar to 31448.
31304	PRS5	Windshield wiper ..	Rotary two way	Single hole	Less knob; for single speed operation; as 31369, but longer spindle.
31334	PS19	Windshield wiper ..	Pull on-push off	Single hole	Less knob; as 31248 except for spindle.
31339	PS6	Panel and heater ..	Rotary on-off	Single hole	Long body, plain black knob.
31363	SS5	Screenjet	Push	Single hole	Plain black knob; long thread.
31369	PRS5	Windshield wiper ..	Rotary two way	Single hole	Less knob; for single speed operation; as 31304, but shorter thread.
31384	22B	Trailer security ..	Pull	Clip	Less clip and screw; black finish.
31403	S45	Isolating	Rotary on-off	Single hole	Less lock and keys.
31419	PS7-2	Heater, fan and wiper	Pull on-push off	Single hole	Less knob; for two-speed operation; special for Rolls-Royce.
31425	PHS1	Heater	Push	Single hole	Less knob.
31430	PRS7	Windshield wiper ..	Rotary three way	Single hole	Less knob.
31434	PS7	Windshield wiper ..	Pull on-push off	Single hole	Less knob.
31448	PRS5	Windshield wiper ..	Rotary three way	Single hole	Less knob; for two-speed operation; special for Rolls-Royce.
31454	PRS5	Windshield wiper ..	Rotary three way	Single hole	Less knob; for two-speed operation.
31455	PRS9	Heater, demister and air valve	Push-pull and rotary three way	Three hole plate	Less knob; tinned fixing plate.
31457	PRS9	Wiper and screenjet	Push-pull and rotary three way	Three hole plate	Less knob; tinned fixing plate.
31474	PS7	Heater	Pull on-push off	Single hole	Less knob; as 31201 except for fixing nut.
31479	PS7	Windshield wiper ..	Pull on-push off	Single hole	Less knob.
31504	12SA	Hand brake	Pull on-push off	Single hole	Insulated return.
31513	15SA	Screenjet	Push	Single hole	Black knob; cream fixing nut.
31518	PS7	Windshield wiper ..	Pull on-push off	Single hole	Less knob.
31526	PS20	Windshield wiper ..	Rotary two way	Single hole	Less knob.
31529	PS9	Fan	Push on-off, tumbler ..	Single hole	Blade knob, marked 'FAN' in white.
31546	PRS7	Windshield wiper ..	Rotary two way	Single hole	Less knob.
31568	PRS7	Windshield wiper ..	Rotary three way	Single hole	Less knob.
31578	30SA	Screenjet	Rotary two way	Single hole	Less knob.
31581	PS7	Heater	Pull on-push off	Single hole	Less knob; similar to 31434 except for fixing nuts.
31650	49SA	Window lift	Push	Two screw	No top plate.
31685	PS9	Heater	Push on-off, tumbler ..	Single hole	Brown knob, marked 'H' in white.
31708	PRS7	Air conditioner ..	Rotary four way	Single hole	Less knob.
31714	50SA	Wiper and screenjet	Rotary three way	Single hole	Incorporates screenjet switch 31513.
31757	45SA	Windshield wiper ..	Toggle	Single hole	Single speed.
31759	PRS7	Trailer change-over..	Rotary two way	Single hole	Less knob.
31780	57SA	Windshield wiper ..	Toggle two way	Single hole	Lucar connectors; black knob.
31788	57SA	Heater	Toggle three way	Single hole	Lucar connectors; black knob.
31828	65SA	Heater	Lever on-off	Single hole	Lucar connectors; black knob.
31836	57SA	Windshield wiper ..	Toggle two way	Single hole	Lucar connectors; black knob.
31838	65SA	Heater and panel ..	Lever on-off	Single hole	Lucar connectors; black knob.
31839	57SA	Wiper and panel ..	Toggle two way	Single hole	Lucar connectors; black knob.
31847	PRS9	Windshield wiper ..	Rotary three way and push	Three hole plate	Less knob.
31862	PRS7	Heater	Rotary three way	Single hole	Less knob.
31869	PS7	Windshield wiper ..	Pull on-push off	Single hole	Less knob.
31870	PRS7	Windshield wiper ..	Rotary three way	Single hole	Lucar connectors.
31892	PRS7	Windshield wiper ..	Rotary three way	Single hole	For two-speed motor.

For illustrations, see pages Q29 and Q32

continued

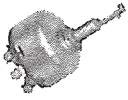
GENERAL PURPOSE SWITCHES



Descriptive Reference—*continued*

Part No.	Model	Usage	Action	Fixing	Special Features
31909	65SA	Heater	Lever on-off	Single hole	Lucar connectors; grey knob.
31918	79SA	Windshield wiper ..	Toggle three way	Single hole	Lucar connectors; black knob.
31921	60SA	Brake booster warning light	Hydraulic	Two hole flange	Lucar connectors.
31928	PRS7	Windshield wiper ..	Rotary three way	Single hole	Lucar connectors.
31940	PRS9	Wiper and screenjet	Rotary three way	Three hole plate	Incorporates screenjet switch 31513.
31947	57SA	Wiper and panel ..	Toggle	Single hole	Lucar connectors.
31954	PRS7	Windshield wiper ..	Rotary three way	Single hole	Less knob; similar to 31568 except for fixing nut.
31957	PRS7	Windshield wiper ..	Rotary three way	Single hole	For two-speed motor.
31960	57SA	Fan	Toggle three way	Single hole	Three positions: OFF, SLOW, FAST.
31975	PRS7	Windshield wiper ..	Rotary three way	Single hole	For two-speed motor; similar to 31928 except for fixing nuts.
31984	65SA	Screenjet	Lever on-off	Single hole	Lucar connectors.
31988	65SA	Windshield wiper ..	Lever on-off	Single hole	Lucar connectors; cream knob.
31997	PRS7	Windshield wiper ..	Rotary three way	Single hole	For two-speed motor; Lucar connectors.
34266	PS19	Windshield wiper ..	Pull on-push off	Single hole	Less knob; Lucar connectors; otherwise as 31248.
34307	65SA	Horn	Lever on-off	Single hole	Spring return; Lucar connectors.
76503	2S	Solenoid for hydraulic suspension dampers	—	Two hole flange	For Rolls-Royce and Bentley.
76600	ST350	Battery master ..	Rotary	Strap and lug	Switch only; black knob marked 'OFF'.
76602	ST350	Battery master ..	Rotary	Strap and lug	Switch 76600 with connector and lug 768045, for positive earth.
76605	ST350	Battery master ..	Rotary	Two hole plate	Black knob marked 'OFF'.
78203	CHR1	Heater or fan ..	Rotary	Single hole	Less knob; $\frac{3}{4}$ " bush; 2.35-2.65 ohms resistance; grub screw knob fitting.
78205	CHR1	Heater or fan ..	Rotary	Single hole	Less knob; 2" bush; 3 ohms resistance; grub screw knob fitting.
78206	CHR1	Heater or fan ..	Rotary	Single hole	Less knob; $\frac{3}{4}$ " bush; 11.6-13.4 ohms resistance; grub screw knob fitting.
78210	CHR1	Heater or fan ..	Rotary	Single hole	Less knob; $1\frac{1}{2}$ " bush; 14-16 ohms resistance; grub screw knob fitting; special for Rolls-Royce.
78216	CHR1	Heater or fan ..	Rotary	Single hole	Less knob; $\frac{3}{32}$ " bush; 1.1 ohms resistance; grub screw knob fitting.
78241	CHR1	Heater or fan ..	Rotary	Single hole	Less knob; $\frac{3}{32}$ " bush; 2.35-2.65 ohms resistance; push-on knob fitting.
78250	CHR1	Heater or fan ..	Rotary	Single hole	Less knob; $1\frac{1}{2}$ " bush; 2.35-2.65 ohms resistance; grub screw knob fitting.
78260	CHR1	Heater or fan ..	Rotary	Single hole	Less knob; $\frac{3}{32}$ " bush; 5-6 ohms resistance; grub screw knob fitting.
78286	CHR3	Demister, heater or fan	Rotary three way	Single hole	Less knob; $\frac{13}{16}$ " bush; 4.5-5 ohms resistance; push-on knob fitting.
78305	2R	Heater and water control	Pull and rotary	Single hole	4.25 ohms resistance; with wire and cable.
78311	CHR1	Dimmer and demister	Rotary	Single hole	Less knob; $\frac{1}{2}$ " bush; 11.6-13.6 ohms resistance; push-on knob fitting.
78328	2R	Heater and water control	Pull and rotary	Single hole	As 78305, but with longer wire and cable.
78339	3R	Heater	Rotary	Single hole	Less knob; 2.55 ohms resistance.
78346	3R	Dimmer and demister	Rotary	Single hole	Less knob; $\frac{7}{16}$ " bush; 12.5 ohms resistance.
78356	3R	Heater	Rotary	Single hole	Less knob; $\frac{3}{32}$ " bush; 5-6 ohms resistance.
78357	3R	Heater	Rotary	Single hole	Less knob; $\frac{3}{32}$ " bush; 1.1 ohms resistance.
78361	3R	Heater or fan ..	Rotary	Single hole	Less knob; $\frac{3}{32}$ " bush; 3 ohms resistance.
78362	3R	Heater	Rotary	Single hole	Less knob; $\frac{3}{32}$ " bush; 2.55 ohms resistance.
78370	3R	Heater	Rotary	Single hole	Less knob; 2.55 ohms resistance.
78384	3R	Heater	Rotary	Single hole	Less knob; 5 ohms resistance.
768380	CHR1	Heater or fan ..	Rotary	Single hole	With knob; $\frac{1}{2}$ " bush; 7-8 ohms resistance.

For illustrations, see pages Q29 and Q32



GENERAL PURPOSE SWITCHES



For detailed spare parts, see pages Q34-Q35

GENERAL PURPOSE SWITCHES



SWITCH KNOBS

Part No.	Model	Finish	Marking	Method of Fitting	Part No.	Model	Finish	Marking	Method of Fitting
305493	—	Black	Decorative insert ..	Push on	317456	PS15	Stone grey ..	Plain	Screw on 6 B.A. thread
312613	PRS7	Black	'H-N-O-WIPER' in white	Push on	317507	PS7	Ivory	'W' in black	Screw on 8 A.N.C. thread
312626	PRS7	Brown	'H-N-P-WIPER' in cream	Push on	317526	PS16	Mottled cream	'W' in red; C.P. bezel..	Push on
312644	PRS7	Black	'H-N-P-WIPER' in white	Push on	317529	—	Black	Plain	Screw on 10 A.N.F. thread
312865	PS7	Black	'W' in white	Push on	317530	PS7	Black	'WIPER' in white ..	Push on
312872	PS7	Black	'W' in white	Push on	317531	PS7	Black	'HEATER' in white ..	Push on
312873	PS7	Brown	'W' in cream	Push on	317602	PRS5	Black	'WIPER' in white ..	Push on
312891	PS7	Brown	'H' in cream	Push on	318167	PRS5	Black	'W' in white	Push on
312892	PS7	Black	'H' in white	Push on	318169	PRS5	Ivory	'WIPER-H-N-P' in black	Push on
312897	PS7	Black	'BLOWER' in white ..	Push on	318171	PRS7	Black	'W' and an arrow in white	Push on
312951	PS7	Black	'W' in white	Push on	318172	PRS7	Black	'H' and an arrow in white	Push on
312954	PS19	Black	'W' in white	Push on	318178	PRS7	Pipe grey	'WIPER' and an arrow in black	Push on
313062	50SA	Black	'H-N-P-WIPER' in white	Grub screw	318180	—	Black	'PUSH FOR AIR' in white	Push on
313337	30SA	Black	'WIPER' and an arrow in white	Grub screw	318350	PS7	C.P.	Plain	Push on
313605	PS7	Black	'W' in ivory	Screw on	318369	PS7	Black	Plastic insert with 'W' in black; aluminium background	Push on
313619	PS7	Cream	'F' in black	Push on	318370	PS7	Black	'H' in clear diakon ..	Push on
313622	PS7	Black	'HEATER' in white ..	Push on	318378	PS7	Brown	Plain	Screw on 8 A.N.C. thread
313624	SS8	Black	'SCREEN WASHER' in white	Push on	318385	PS7	Brown	'W' in cream	Screw on 8 A.N.C. thread
313625	CHR1	Black	'DEMIST-R-WINDOW' and an arrow in white ..	Push on	318476	PRS7 and PS20	Black	'WIPER' and an arrow in white	Push on
313633	PS7	Black; bright bezel	'W' in white	Push on	318492	PRS5	Black	'W' in white	Push on
313662	PS15	Pebble grey ..	'W' in black	Screw on	325347	—	Ivory	'ON', 'OFF', double-headed arrow and 'WATER VALVE' in black	Grub screw
313682	50SA	Black	'H-N-P-WIPER-PRESS FOR WASHER' in white ..	Push on	325348	—	Ivory	'ON', 'OFF', double-headed arrow and 'DEMISTER' in black ..	Grub screw
313683	PS7	Black	'H' in white	Push on	325349	—	Ivory	Line $\frac{1}{8}$ " wide in black ..	Grub screw
313690	PS7	Black	'W' in white	Push on	325721	—	Ivory	'VENTILATOR-PULL TO OPEN' in black ..	Grub screw
314026	PS7	Black	Plain	Screw on 8 A.N.C. thread	326724	—	Golden pearl	'AIR' in black	Screw on 2 B.A. thread
314437	PS7	C.P.	Plain	Screw on 8 A.N.C. thread	327617	—	Black	'AIR' in white	Screw on 2 B.A. thread
315042	PPG1	Brown	Plain	Push on	768378	CHR1	Brown	An arrow in white ..	Grub screw
315061	PS15	Ivory	Plain	Screw on 6 B.A. thread	768424	CHR1	C.P.	Plain	Grub screw
315062	PS15	Ivory	Plain	Screw on 6 B.A. thread	768442	CHR1	Walnut	'FAN' 'OFF-ON-DECREASE' and an arrow in green ..	Grub screw
315069	PS15	Black	Plain	Screw on 6 B.A. thread	768443	CHR1	Walnut	'HEAT' 'ON-OFF' in green	Grub screw
315075	PS15	Brown	Plain	Screw on 6 B.A. thread	768473	CHR1	Black	'FAST-SLOW-HEATER' in white..	Grub screw
315104	PS16	Golden pearl	Plain	Push on	768522	CHR1	Ivory	'FAST-SLOW-HEATER' in black..	Grub screw
315121	PS16	Cream	Plain	Push on	768650	CHR1	Brown	'H' and an arrow in white	Grub screw
315140	PS16	C.P.	Plain	Push on	768973	3R	Cream	'D' in black	Push on
316133	PRS7	Black	'L' in white	Push on	769016	2R	C.P.	Plain	Fixing peg
316162	PPG1	Cream	'B' in black	Push on	54330528	PHS1	Black	'HEATER' in white ..	Push on
316221	PS7	Mottled green	'H' in black	Screw on 8 A.N.C. thread	54330741	PRS7 and PS15	Black	'W' in white	Screw on
316352	PS19	Black	'FAN' in white	Push on	54330754	PS15	Stone grey	Plain	Screw on
316371	PS19	Black	'WIPER' in white	Push on	54330757	PRS7	Pipe grey	'WIPER' and an arrow in black	Push on
316381	PS19	Cream	'H' in brown	Push on	54330878	PS7	Grey	'WIPER' in white	Push on
316386	PS19	Cream	'C' in black	Push on	54330882	—	Grey	'SCREEN, CAR' in white ..	Push on
316388	PS7	Brown	'W' in cream	Push on	54330883	PS7	Grey	'HEAT' in white	Push on
316390	—	Black	'A' in white	Push on	54330885	PPG1	Black	'HEATER' in white	Push on
316391	PS19	Black	'W' in white	Push on	54330939	PS7	Pebble grey	'W' in black	Push on
316393	PS7	Cream	'W' in black	Push on	54331189	PS7	Coffee	'WIPER' in white	Push on
316478	PS16	Grey	Plain	Push on	54331265	PPG2	Black	'FAN' in white	Push on
316485	PS16	Black	'FAN' in white	Push on	54331278	3R	Black	'H' in white	Push on
316486	—	Black	'HEAT' and an arrow in white	Push on	54331339	PS7	Black	'H' in white	Push on
316510	PRS5	Golden pearl	'H-N-P' in black	Push on	54332086	3R	Black	'FAST-SLOW-HEATER' in white..	Push on
316512	PS16	Golden pearl	Plain	Push on	54332711	PS7	Cream	Plain	Push on
316519	PRS5	Black	'H-N-P' in white	Push on	54333487	3R	Brown	'FAST-SLOW-HEATER' in white..	Push on
316520	PS16	Black	Plain	Push on					
316521	PS15	Ivory	'W' in black	Screw on					
316623	PRS5	Black	'WIPER' in white	Push on					
316632	PRS5	Black	'WIPER' and an arrow in white	Push on					
316633	PRS5	Black	Plastic insert with 'W' in black; ivory background	Push on					
316646	PRS5	Black	'WIPER-H-N-P' in white	Push on					
316695	PS20	Stone	'WIPER' and an arrow in black	Push on					
317453	PS15	Black	'W' in white	Screw on 6 B.A. thread					

GENERAL PURPOSE SWITCHES

DETAILED SPARE PARTS

Part No.	31113	31114	31115	31126	31154	31187	31192	31201	31228	31243	31248
Model	PS16	PPG2	SS8	PPG1	PS16	S55	PS15	PS7	PS7	PS6	PS19
§Screw or sleeve, terminal	120560	120560	120560	120560	120560	120560	188818	120560	120560	121610	120560
§Washer, spring	—	—	—	—	—	—	—	—	—	185188	—
Washer, fixing nut	—	—	—	—	—	—	—	185081	185081	158350	—
Nut, fixing	—	—	—	316101	—	—	315081	314017	316207	180670	315081
Nut, locking	—	—	—	—	—	—	—	180093	180093	—	—
Lock and keys	—	—	—	—	—	345070	—	—	—	—	—
Part No.	31256	31272	31302	31304	31334	31339	31363	31369	31403	31419	31425
Model	PS6	SS5	PRS5	PRS5	PS19	PS6	SS5	PRS5	S45	PS7	PHS1
§Screw, terminal	121610	120584	132504	132504	120560	121610	120584	132504	120560	120560	132464
§Washer, spring or shakeproof	185188	185188	185000	185000	—	185188	185188	185000	—	—	188412
Washer, fixing nut	158350	158350	—	—	—	158350	158350	—	164018	185081	—
Nut, fixing	180670	180670	182660	182660	315081	180670	180670	182660	54130041	314017	183891
Nut, locking	—	—	—	—	—	—	—	—	—	180093	—
Part No.	31430	31434	31448	31454	31455	31457	31474	31479	31518	31526	31529
Model	PRS7	PS7	PRS5	PRS5	PRS9	PRS9	PS7	PS7	PS7	PS20	PS9
§Screw, terminal	132464	120560	132504	132504	132464	132464	120560	120560	120560	132464	120560
§Washer, spring	185000	—	185000	185000	185000	185000	—	—	—	185000	—
Washer, fixing nut	—	185081	—	—	—	—	185081	185081	185081	—	—
Nut, fixing	182660	317543	182660	318166	—	—	315072	314017	312858	182660	314540
Nut, locking	—	180093	—	—	—	—	180093	180093	180093	—	—
Valve	—	—	—	—	—	318423	—	—	—	—	—
Part No.	31546	31568	31578	31581	31650	31685	31708	31759	31780	31788	31828
Model	PRS7	PRS7	30SA	PS7	49SA	PS9	PRS7	PRS7	57SA	57SA	65SA
§Screw, terminal	132464	132464	132464	120560	135444	120560	132464	132464	—	—	—
§Washer, spring	185000	185000	185000	185081	185012	—	185000	185000	—	—	—
Washer, fixing nut	185106	185106	—	—	—	—	185106	185106	54148517	54148517	54148517
Nut, fixing	183891	183891	182660	180093	—	314540	182660	183891	153631	153631	153601
Nut, locking	182660	182660	—	—	—	—	182660	182660	—	—	—

§ Recommended spares for stock

For illustrations, see pages Q29 and Q32

continued

GENERAL PURPOSE SWITCHES

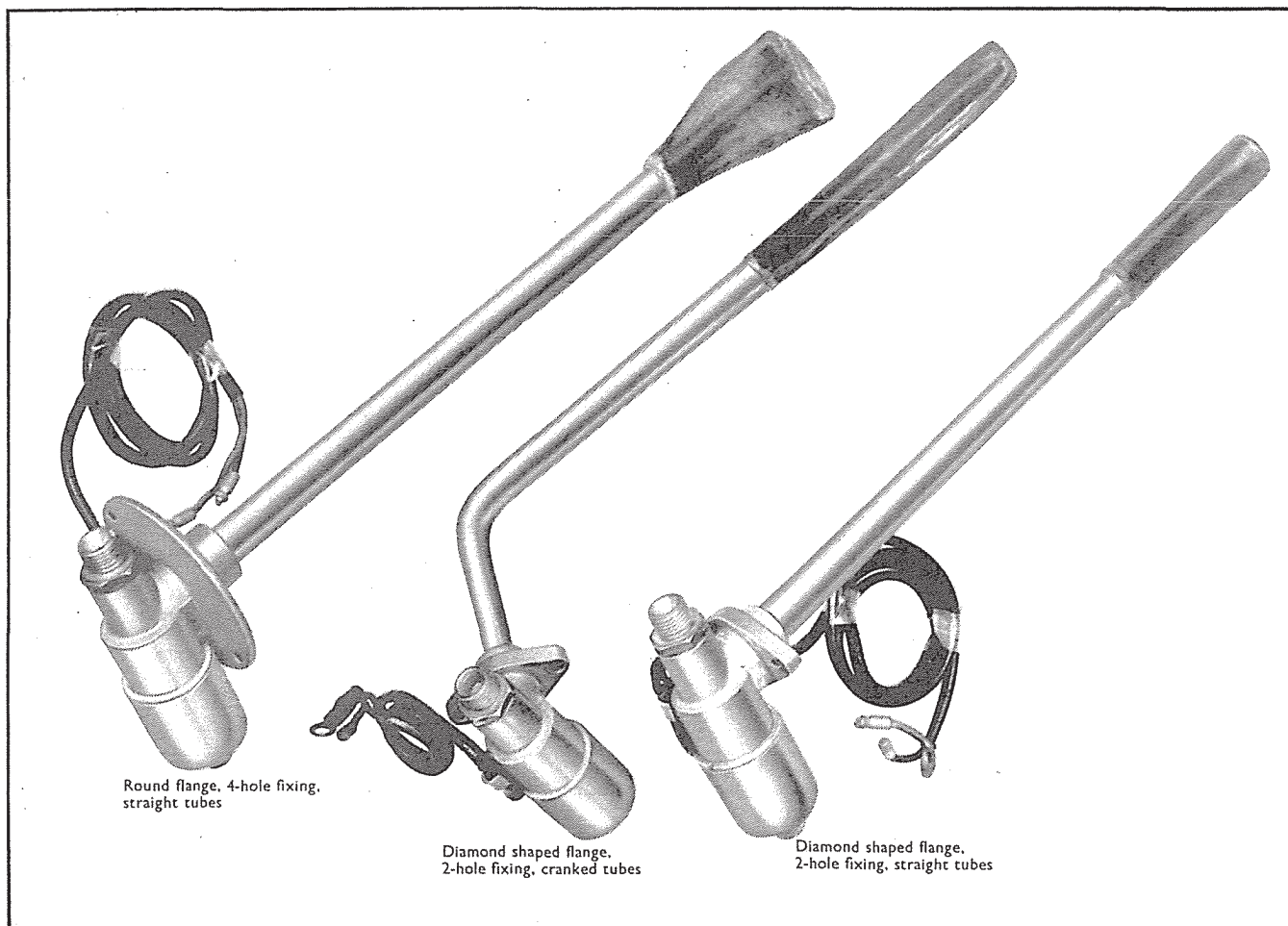
DETAILED SPARE PARTS

Part No.	31836	31838	31839	31847	31862	31869	31870	31892	31909	31918	31921	31928
Model	57SA	65SA	57SA	PRS9	PRS7	PS7	PRS7	PRS7	65SA	79SA	60SA	PRS7
§Screw, terminal	—	—	—	132464	132464	—	—	132464	—	—	—	—
§Washer, spring	54148517	—	—	185000	185000	185081	185106	185000	54148517	—	—	54148517
§Washer, fixing nut	153601	54130081	—	—	182660	314017	183891	185106	153601	—	—	182661
§Nut, fixing	—	—	54130081	—	—	180670	182660	—	—	54130081	—	182660
§Nut, locking	—	—	—	—	—	—	—	—	—	—	—	—
Part No.	31940	31947	31954	31957	31960	31975	31984	31988	31997	34266	34307	76503
Model	PRS9	57SA	PRS7	PRS7	57SA	PRS7	65SA	65SA	PRS7	PS19	65SA	2S
§Screw, terminal	132464	—	132464	132464	—	—	—	—	—	—	—	—
§Washer, spring	185000	—	185000	185000	54148517	54148517	54148517	54148517	—	—	—	—
§Washer, fixing nut	—	54148517	185106	185106	54148517	54130311	153601	54148517	—	—	54148517	—
§Nut, fixing	—	54130281	183891	183891	153601	182660	—	153601	182660	—	153601	—
§Nut, locking	—	—	182666	182660	—	—	—	—	—	—	—	—
§End cap, rubber	†31513	—	—	—	—	—	—	—	—	—	—	765373
Part No.	76600	76602	76605	†78203	†78205	†78206	†78210	†78216	†78241	†78250	78260	
Model	ST350	ST350	ST330	CHR1	CHR1	CHR1	CHR1	CHR1	CHR1	CHR1	CHR1	
Lug and connector arm, positive	—	768045	—	—	—	—	—	—	—	—	—	
§Screw, terminal	120560	120560	125060	135481	135481	135481	135481	135481	135481	135481	135481	
§Washer, spring or shakeproof	185062	185062	185062	188412	188412	188412	188412	188412	188412	188412	188412	
§Washer, fixing nut	140300	140300	140300	185106	185106	185106	185106	185106	185106	185106	185106	
§Nut, connector or switch fixing	†170574	†170574	†170574	175328	175328	183976	183976	183976	183976	183976	183976	
§Nut, locking	†170650	†170650	†170650	175328	175328	175328	175328	182660	182660	175328	182660	
§Screw, knob fixing	—	—	—	119347	119347	119347	119347	119347	119347	119347	119347	
§Knob	—	—	—	†768442	†768424	†768378	†768473	†768522	†315042	†768378	—	
Part No.	78286	78305	78311	78328	78346	78356	78357	78362	78370	78384	78380	
Model	CHR3	2R	CHR1	2R	3R	3R	3R	3R	3R	3R	CHR1	
§Screw, terminal	135444	—	135481	—	132464	132464	132464	132464	132464	124069	135481	
§Nut, terminal screw	166160	—	—	—	—	—	—	—	—	—	—	
§Washer, spring or shakeproof	185007	—	188412	—	185000	185000	185000	185000	185000	—	188412	
§Washer, fixing nut	185106	—	185106	—	185106	185106	185106	185106	185106	185106	185106	
§Nut, fixing	182660	—	183897	—	153601	153601	153601	153601	153601	153631	183897	
§Nut, locking	182660	—	182660	—	153636	153636	153636	153636	153636	153636	182660	
§Body	—	769021	—	769021	—	—	—	—	—	—	—	
§Knob	—	769016	—	769016	—	—	—	—	—	—	768378	
§Wire and cable, or screw	—	769019	—	769024	—	—	—	—	—	—	119347	
§Connector, Lucar	—	—	—	199316	—	—	—	—	—	199316	—	
† Switch, screenspray	—	—	—	—	—	—	—	—	—	—	—	
‡ Supplied less knob	—	—	—	—	—	—	—	—	—	—	—	
§ Recommended spares for stock	—	—	—	—	—	—	—	—	—	—	—	
¶ Nut, terminal	—	—	—	—	—	—	—	—	—	—	—	
¶ Order separately	—	—	—	—	—	—	—	—	—	—	—	

For illustrations, see pages Q29 and Q32



PETROL RESERVE VALVES



Round flange, 4-hole fixing, straight tubes

Diamond shaped flange, 2-hole fixing, cranked tubes

Diamond shaped flange, 2-hole fixing, straight tubes

Part No.	Model	Voltage	Length of Main Tube	Length of Reserve Tube	Special Features
78000	SPV	12	9 ¹⁵ / ₃₂ "	11 ⁷ / ₃₂ "	Round flange, four hole fixing; straight tubes.
78001	SPV	12	7 ³ / ₈ "	10 ¹ / ₄ "	Round flange, four hole fixing; straight tubes.
78006	SPV	12	3 ³ / ₄ "	7 ¹ / ₂ "	Diamond shaped flange, two hole fixing; straight tubes.
78007	SPV	12	9 ¹⁵ / ₃₂ "	10 ¹¹ / ₃₂ "	Diamond shaped flange, two hole fixing; straight tubes.
78014	SPV	12	8 ¹³ / ₁₆ "	10 ³ / ₈ "	Diamond shaped flange, two hole fixing; straight tubes.
78016	SPV	12	6 ⁹ / ₁₆ "	8 ³ / ₁₆ "	Diamond shaped flange, two hole fixing; straight tubes.
78017	SPV	12	5"	6 ³¹ / ₁₆ "	Diamond shaped flange, two hole fixing; straight tubes.
78020	SPV	12	6 ³ / ₈ "	7 ¹¹ / ₁₆ "	Diamond shaped flange, two hole fixing; cranked tubes.
78021	SPV	12	10 ⁵ / ₈ "	13"	Diamond shaped flange, two hole fixing; cranked tubes.
78023	SPV	12	7 ⁷ / ₈ "	10 ³ / ₈ "	Diamond shaped flange, two hole fixing; cranked tubes.
78024	SPV	12	9 ¹ / ₂ "	11"	Diamond shaped flange, two hole fixing; straight tubes.
78025	SPV	12	16 ¹ / ₂ "	19 ¹ / ₂ "	Diamond shaped flange, two hole fixing; straight tubes.
78026	SPV	12	2 ¹³ / ₁₆ "	4 ¹³ / ₁₆ "	Diamond shaped flange, two hole fixing; straight tubes.
78028	SPV	12	5 ¹³ / ₃₂ "	7 ¹ / ₂ "	Diamond shaped flange, two hole fixing; straight tubes.
78029	SPV	12	8 ¹ / ₂ "	10 ²⁵ / ₃₂ "	Diamond shaped flange, two hole fixing; straight tubes.
78030	SPV	12	6 ³ / ₈ "	9 ³ / ₃₂ "	Diamond shaped flange, two hole fixing; straight tubes.
78034	SPV	12	4 ³ / ₈ "	8 ³ / ₈ "	Diamond shaped flange, two hole fixing; straight tubes.
78035	SPV	12	3 ³ / ₈ "	—	Diamond shaped flange, two hole fixing; straight tubes.
78037	SPV	12	9 ³⁵ / ₆₄ "	11 ⁵¹ / ₆₄ "	Diamond shaped flange, two hole fixing; straight tubes.
†78039	SPV	12	9 ⁴¹ / ₆₄ "	10 ⁵⁹ / ₆₄ "	Diamond shaped flange, two hole fixing; straight tubes.
78040	SPV	12	7 ¹⁷ / ₃₂ "	7 ²⁹ / ₃₂ "	Diamond shaped flange, two hole fixing; straight tubes.
780025	SPV	12	10 ³ / ₁₆ "	11 ⁷ / ₁₆ "	Round flange, four hole fixing; straight tubes.
780060	SPV	12	9 ³ / ₃₂ "	10 ³ / ₃₂ "	Round flange, four hole fixing; straight tubes.

† Superseded by 78024



SWITCHES

Model Interpretation

- 108 Push-button starter switch.
- 1 Symbol number covering special features.
- 134 Battery cut-off switch.
- 19 Symbol covering special features.
- BBNF Solenoid switch.
- A Design change.
- 41 For series-parallel circuits.

Descriptive Reference

Part No.	Description	Application
108-1 ..	Push operation; panel fitting; knob marked 'starter'	Solenoid operating
108-2 ..	As 108-1, but knob marked 'Heater'	Heater
134-19 ..	Manually operated cut-off switch, having a positive locking, turn only action	Master battery
285-2A ..	Thermo-heater switch used for pre-heating of combustion chamber	Thermostart
BBNFA41	Arranged for series-parallel operation, 12 volt running and 24 volt starting; has auxiliary contacts and is mounted on cast base plate with moulded, clip-on covers	Series-parallel



C.A.V. SWITCHES

SERIES-PARALLEL SWITCH

Model	BBNFA41
Part No.	1820410
Switch unit, complete	5555-276
Screw, small terminal	5548-43
Nut, large terminal	5330-13A
Washer, lock, large terminal	NP1-11
Cover, main	5555-256
Clip, main cover	5518-5
Cover, terminal	5555-254
Clip, terminal cover	5518-6

BATTERY CUT-OFF SWITCH

Model	134-19
Part No.	1824890
Knob	5555-196
Nut, knob fixing	5330-78
Washer, knob nut	5339-371
Spring, knob	5555-110
Block, cover insulator	5555-225
Screw, cover fixing	5335-123
Washer, cover screw	5001-10
Ring, lock, cover screw	5514-38
Contact, connector	5596-47
Stud, contact connector fixing	5335-271A
Contact, round	5596-52A
Terminal, main	5555-72
Nut, main terminal, thin	5330-3A
Nut, main terminal, thick	5330-13A
Washer, plain, main terminal	5246-12A
Washer, spring, main terminal	5001-26
Terminal, small	5549-198A
Screw, grub, small terminal	5549-206
Washer, plain, small terminal	5339-189A
Washer, spring, small terminal	5293-39
Nut, small terminal	5330-80
Moving contact assembly	5555-142
Spring, moving contact	5555-35
Socket, cable	5459-54
Cover, rubber, cable socket	5506-54

THERMOSTART

Model	285-2A
Part No.	1850021
Stud, banjo	5935-26
Joint, banjo	NW5-17
Banjo	5935-34
Nut, terminal	NU2-5T
Washer, terminal	5936-54

STARTER PUSH AND HEATER SWITCHES

Model	108-1	108-2
Part No.	1823410	1823420
Knob, with contact	5597-14	5597-14A
Spring	5597-33	5597-33
Plate, knob	5597-2	5597-2
Base, with contacts	5597-40	5597-40
Screw, base and plate	NS100-4Z1	NS100-4Z1
Washer, plain, terminal	5080-6	5080-6
Washer, spring, terminal	5001-23	5001-23
Nut, terminal, thick	5330-19A	5330-19A
Nut, terminal, thin	5068-9	5068-9

BBNFA41 SERIES-PARALLEL SWITCH

134 BATTERY CUT-OFF SWITCH

285-2A THERMOSTART

108 PUSH SWITCHES